

UNITED STATES FAMILY INTERNMENT CAMP CRYSTAL CITY, TEXAS

UNITED STATES DEPARTMENT OF JUSTICE,
IMMIGRATION AND NATURALIZATION SERVICE
NOVEMBER 11, 1942 - NOVEMBER 29, 1948

LOCATION AT OR NEAR
1300 N 7TH AVENUE
CRYSTAL CITY, TEXAS 78839

DRAWINGS:

- 01 - SCHEDULE "A" - PLOT SURVEY
- 02 - SCHEDULE "AA" - PLOT SURVEY - COLOR
- 03 - SCHEDULE "B" - ELEVATION DETAILS
- 04 - SCHEDULE "C" - ROOFING DETAILS
- 05 - PLOT PLAN
- 06 - PLOT PLAN WITH DETAILS
- 07 - SHELTER UNITS & VICTORY HUTS
- 08 - DWELLING UNIT "C"
- 09 - DWELLING UNITS "D" & "T"
- 10 - DWELLING UNIT "Q"
- 11 - BATH HOUSE
- 12 - LATRINE

ALL DRAWINGS HEREIN REGISTERED AT:

UNIVERSITY OF TEXAS SAN ANTONIO, ITC, #111-0060
TEXAS HISTORICAL COMMISSION, MILITARY SITES PROGRAM,
TEXAS WWII FILES, CRYSTAL CITY FAMILY INTERNMENT CAMP,
NATIONAL ARCHIVES SOUTHWEST REGION, FORT WORTH
CRYSTAL CITY INDEPENDENT SCHOOL DISTRICT

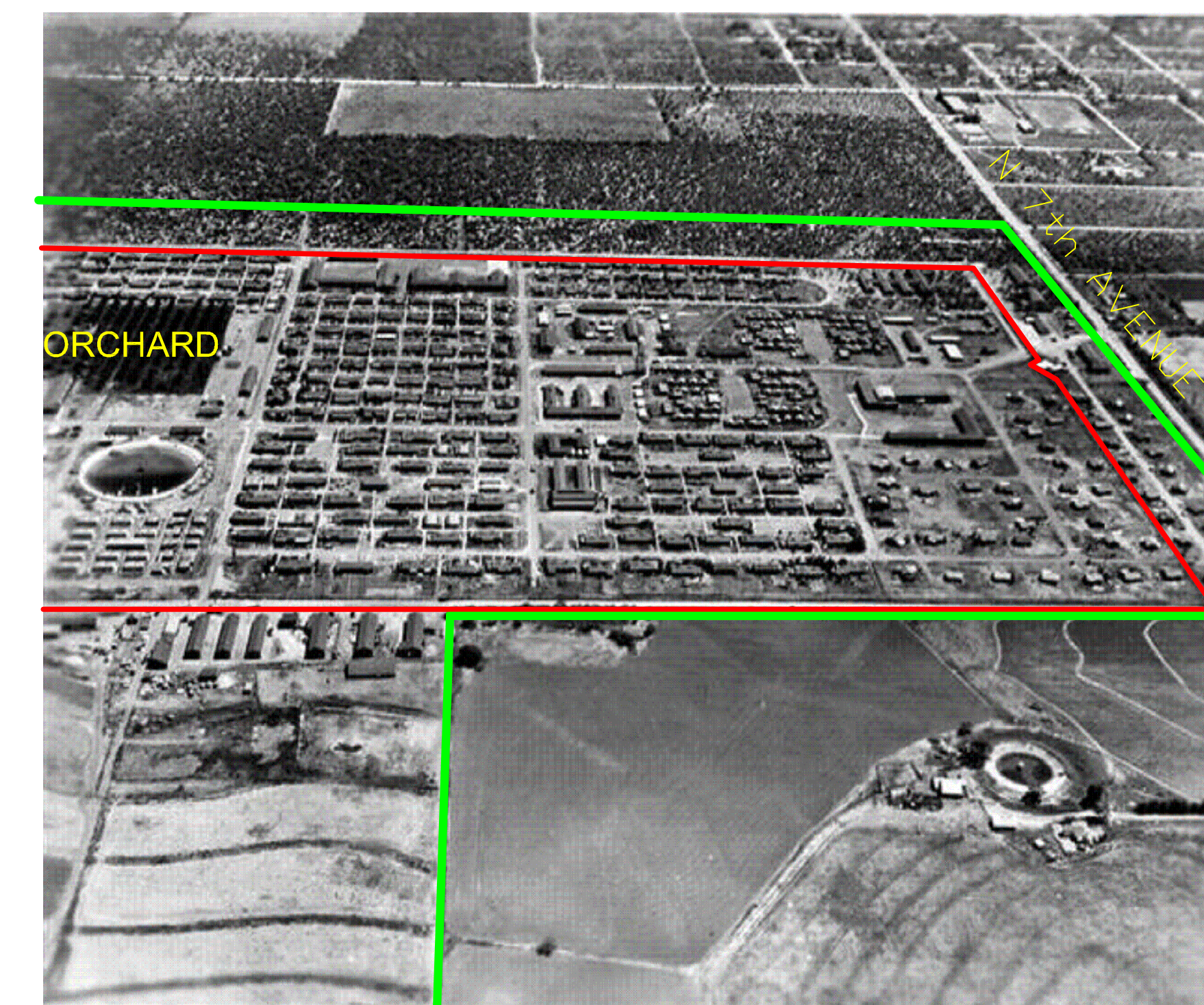
COPYRIGHT ©2011 WERNER R. ULRICH

IN EARLY 1942, SOON AFTER THE OUTBREAK OF WWII, THE U.S. DEPARTMENT OF AGRICULTURE ISSUED A USE PERMIT OF 240 ACRES OF LAND TO THE U.S. DEPARTMENT OF JUSTICE TO BUILD THE CRYSTAL CITY FAMILY INTERNMENT CAMP. SOON AFTER, THE U.S. JUSTICE DEPARTMENT CONFISCATED 50 ADJOINING ACRES BRINGING A TOTAL ACREAGE TO 290 ACRES OF GOVERNMENT OWNED PROPERTY.

ON NOVEMBER 11, 1942, CONSTRUCTION BEGAN OF THE FAMILY INTERNMENT CAMP. THIS CAMP, OF 100 ACRES, CONSISTED OF BARBED WIRE FENCING, FLOOD LIGHTS AND ARMED GUARD TOWERS. THE FIRST FAMILIES FOR INTERNMENT ARRIVED ON DECEMBER 12, 1942.

THE FAMILY INTERNMENT CAMP REMAINED OCCUPIED BY GERMAN, ITALIAN, JAPANESE, AND LATIN-AMERICAN INTERNEES UNTIL THE SUMMER OF 1947. ON JANUARY 30, 1948, ALL CAMP EMPLOYEES WERE TRANSFERRED OR TERMINATED ALONG WITH THE CANCELLATIONS OF CONTRACTS FOR GAS, WATER, ELECTRIC AND SEWER SERVICES. THE CAMP OFFICIALLY CLOSED ON FEBRUARY 27, 1948.

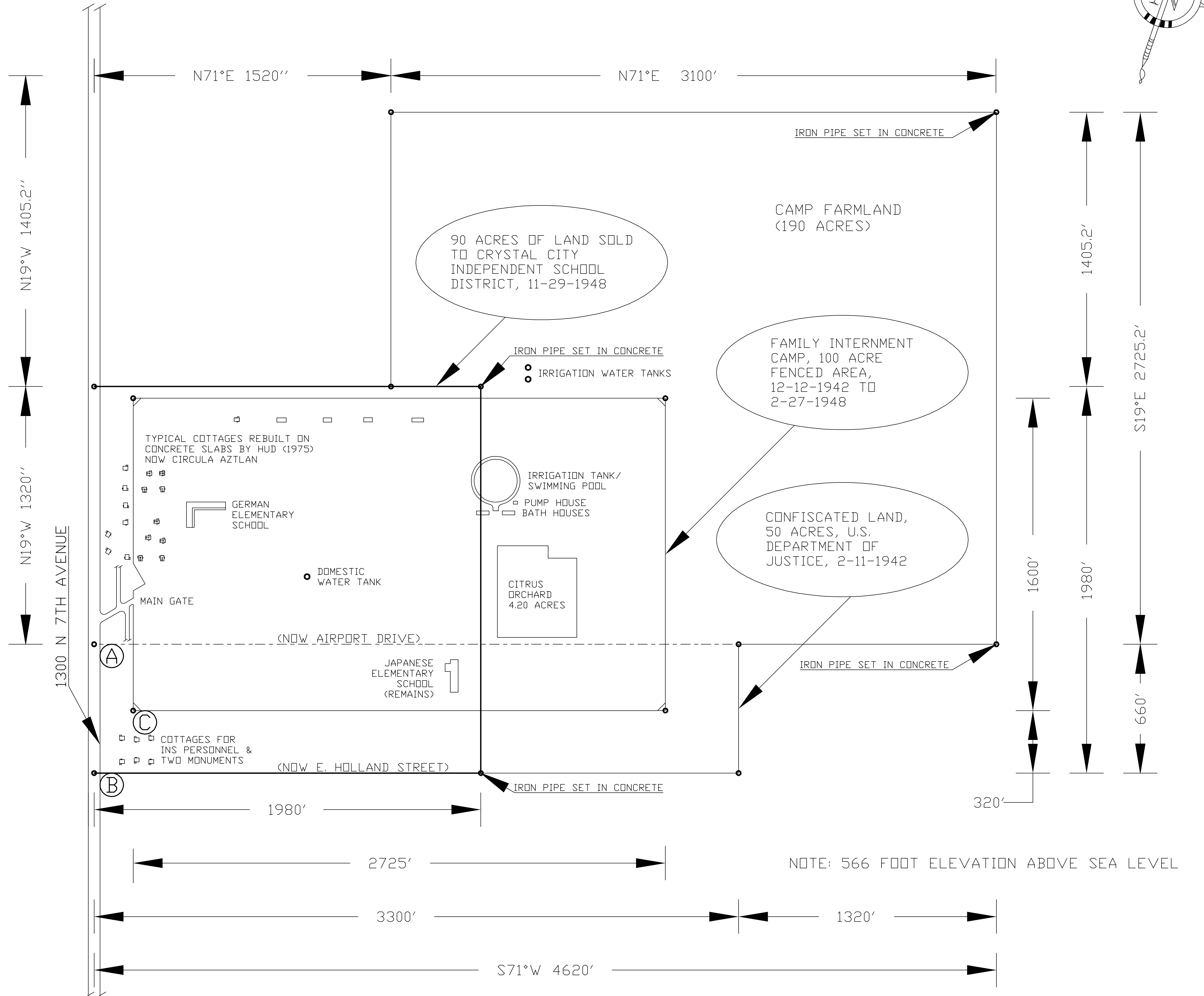
ON NOVEMBER 29, 1948, 90 ACRES WERE SOLD BY THE U.S. WAR ASSETS ADMINISTRATION TO THE CRYSTAL CITY, TEXAS, INDEPENDENT SCHOOL DISTRICT. SPECIAL STIPULATIONS WERE MADE THAT THE 4.20 ACRES OF THE CITRUS ORCHARD WERE NOT TO BE SOLD. THE REMAINING 185.80 ACRES WERE PURCHASED FOR THE CRYSTAL CITY AIRPORT.



AERIAL VIEW OF CAMP (CIRCA 1945)
BARBED WIRE FENCING IN RED
U.S. GOVERNMENT PROPERTY IN GREEN



CAMP SUBJECT MARKER (2007)
TEXAS HISTORICAL COMMISSION



UTILITIES	
GAS	GAS DISTRIBUTION SYSTEM, DEL RIO, TEXAS
ELECTRICITY	CENTRAL POWER & LIGHT, CRYSTAL CITY, TEXAS
SEWERAGE	CRYSTAL CITY SEWERAGE PLANT
TELEPHONE	DEL RIO & WINTERGARDEN TELEPHONE COMPANY
WATER	CRYSTAL CITY WATER TREATMENT PLANT
FIRE FIGHTER	ONE FIRE TRUCK, CRYSTAL CITY FIRE DEPARTMENT
FIRE REPORTS	15 TELEPHONES, MAGNETIC TYPE
RAILROAD	CRYSTAL CITY, 3/4 MILE FROM CAMP GATE

WATER	
IRRIGATION TANK/SWIMMING POOL, 250 FOOT DIAMETER	
WATER TOWER, DOMESTIC, 15,000 GALLON	1
WATER TOWER, FARMING, 15,000 GALLON	2
LAND - TOTAL 290 ACRES	
ORIGINAL PRE-WWII FARM LAND	240 ACRES
CONFISCATED LAND BEGINNING OF WWII	50 ACRES
FAMILY INTERNMENT CAMP DURING WWII	100 ACRES
FAMILY CAMP FARMLAND DURING WWII	190 ACRES
CRYSTAL CITY ISD, POST-WWII	90 ACRES
CITRUS ORCHARD, POST-WWII	4.20 ACRES
CRYSTAL CITY AIRPORT, POST-WWII	185.80 ACRES

NOTES

IN EARLY 1942, THE U.S. DEPARTMENT OF AGRICULTURE ISSUED A USE PERMIT OF 240 ACRES OF LAND TO THE U.S. DEPARTMENT OF JUSTICE TO BUILD THE CRYSTAL CITY FAMILY INTERNMENT CAMP. SURVEY OF THIS LAND IS AS FOLLOWS: BEGINNING AT POINT (A) OF THE SOUTHWEST CORNER OF LAND RUNNING N19°W 1320 FEET, THENCE N71°E 1520', THENCE N19°W 1405.2', THENCE N71°E 3100', THENCE S19°E 2725.2', THENCE S71°W 4620' TO POINT (A).

SOON AFTER, THE U.S. DEPARTMENT OF JUSTICE CONFISCATED 50 ADJOINING ACRES BRINGING A TOTAL ACREAGE TO 290 ACRES OF GOVERNMENT OWNED PROPERTY. SURVEY OF THIS LAND IS AS FOLLOWS: BEGINNING AT POINT (B) OF THE SOUTHWEST CORNER OF LAND RUNNING N19°W 660', THENCE N71°E 3300', THENCE S19°E 660', THENCE S71°W 3300' TO POINT (B).

ON NOVEMBER 11, 1942, CONSTRUCTION BEGAN OF THE FAMILY INTERNMENT CAMP. THIS CAMP, OF 100 ACRES, CONSISTED OF BARBED WIRE FENCING, FLOOD LIGHTS AND ARMED GUARD TOWERS. SURVEY OF THIS LAND IS AS FOLLOWS: BEGINNING AT POINT (C) OF THE SOUTHWEST CORNER OF LAND RUNNING N19°W 1600', THENCE N71°E 2725', THENCE S19°E 1600', THENCE S71°W 2725' TO POINT (C).

ON NOVEMBER 29, 1948, 90 ACRES WERE SOLD BY THE U.S. WAR ASSETS ADMINISTRATION TO THE CRYSTAL CITY, TEXAS, INDEPENDENT SCHOOL DISTRICT. SURVEY OF THIS LAND IS AS FOLLOWS: LAND IN BOLD PRINT BEGINNING AT POINT (B) OF THE SOUTHWEST CORNER N19°W 1980', THENCE N71°E 1980', THENCE S19°E 1980', THENCE S71°W 1980' TO POINT (B).

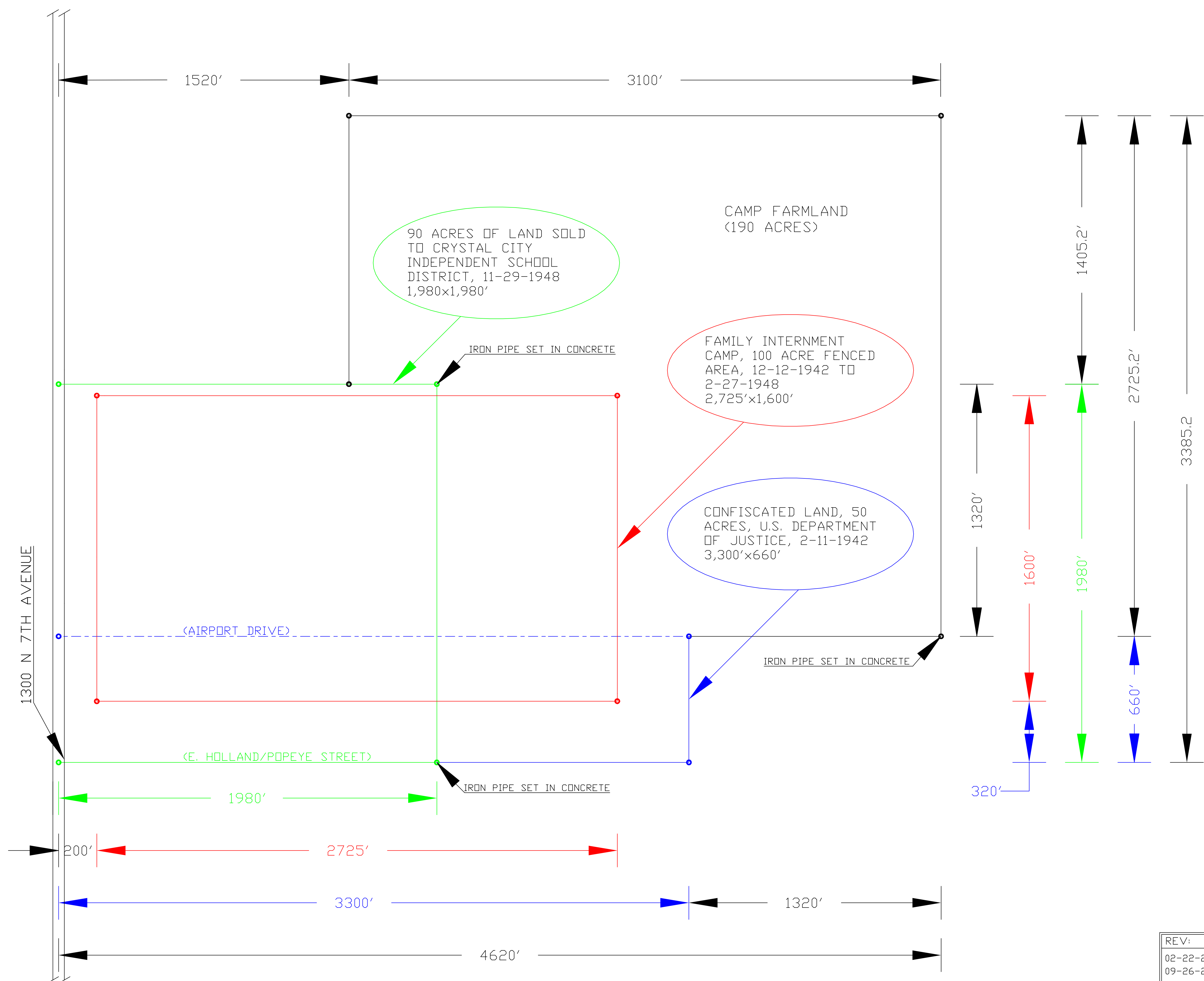
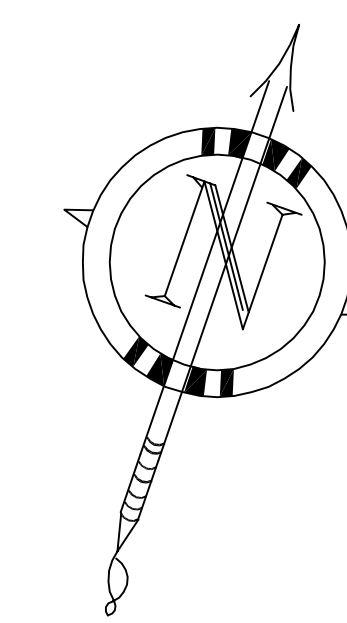
SPECIAL STIPULATIONS WERE MADE THAT THE 4.20 ACRES OF THE CITRUS ORCHARD WERE NOT TO BE SOLD. THE REMAINING 185.80 ACRES WERE PURCHASED FOR CRYSTAL CITY AIRPORT. THE CITRUS ORCHARD NO LONGER EXISTS.

AS OF THE DATE OF THIS PLOT SURVEY, THE FOLLOWING CONCRETE SLABS AND FOOTINGS REMAIN ON SITE:

- 1) COTTAGES FOR INS PERSONNEL (SIX);
- 2) TWO MONUMENTS-
JAPANESE MONUMENT (1985) &
TEXAS HISTORICAL COMMISSION (2005);
- 3) GERMAN ELEMENTARY SCHOOL;
- 4) JAPANESE ELEMENTARY SCHOOL;
- 5) DOMESTIC WATER TANK;
- 6) IRRIGATION TANK POOL;
- 7) PUMP HOUSE (WATER SUPPLY TO TWO IRRIGATION WATER TANKS);
- 8) TWO BATH HOUSES (GERMAN & JAPANESE); AND
- 9) TWO IRRIGATION WATER TANKS.

NOTE: 566 FOOT ELEVATION ABOVE SEA LEVEL

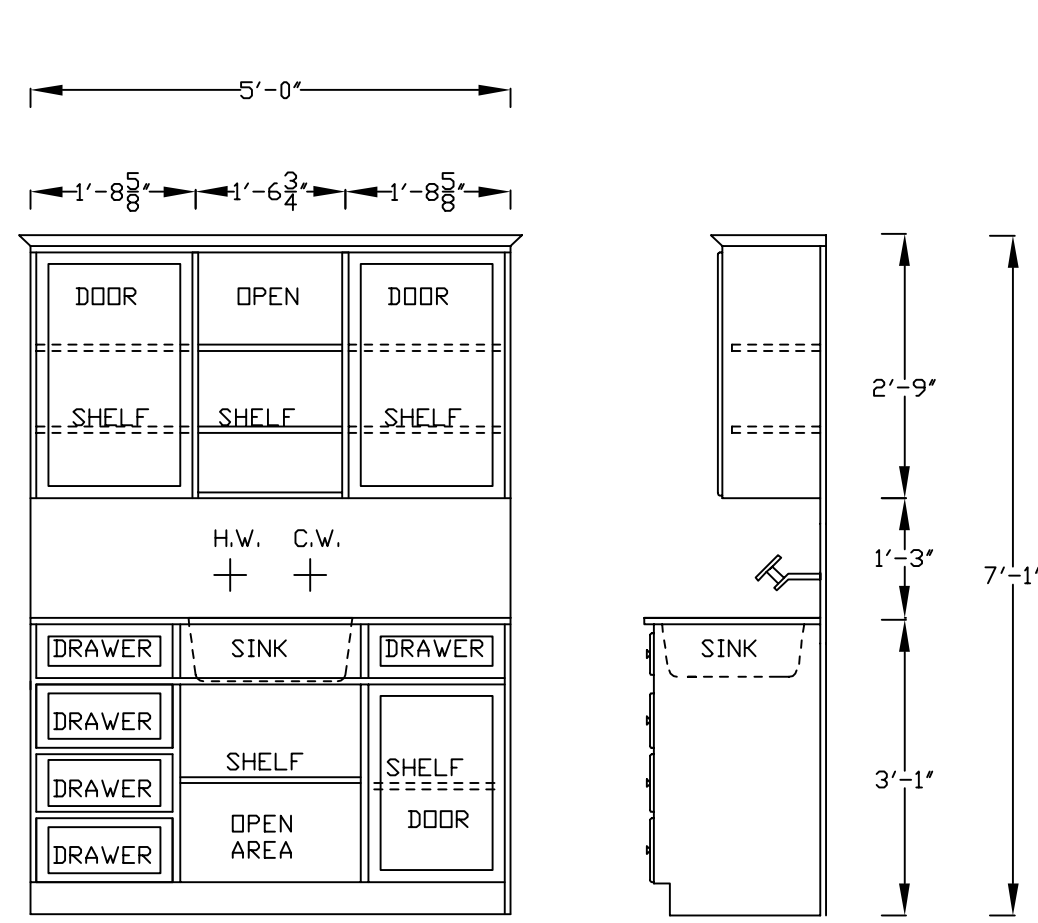
TITLE: U.S. FAMILY INTERNMENT CAMP CRYSTAL CITY, TEXAS	
REV:	SCHEDULE "A" - PLOT SURVEY
02-22-2011	WILLIAM FRANKE, COUNTY SURVEYOR OF ZAVALA COUNTY, TEXAS (25 MAY 1948) & D.W. LUCAS, CHIEF, PROPERTY MANAGEMENT DIVISION, WAR ASSETS ADMINISTRATION (9 JANUARY 1949).
ORIGINALS PROVIDED BY: JOANNA WARTEMANN-HOWELL, FORMER INTERNEE & AVERY HOWELL, NARA SOUTHWEST COLLECTION, FORT WORTH, TEXAS	
PLOT SIZE: 290 ACRES	DRAWING #01 OF 12
DRAWN BY: WERNER R. ULRICH, FORMER INTERNEE	
SCALE: 1"=250'	DRAWN: 12-10-2010 ©2011 WERNER R. ULRICH



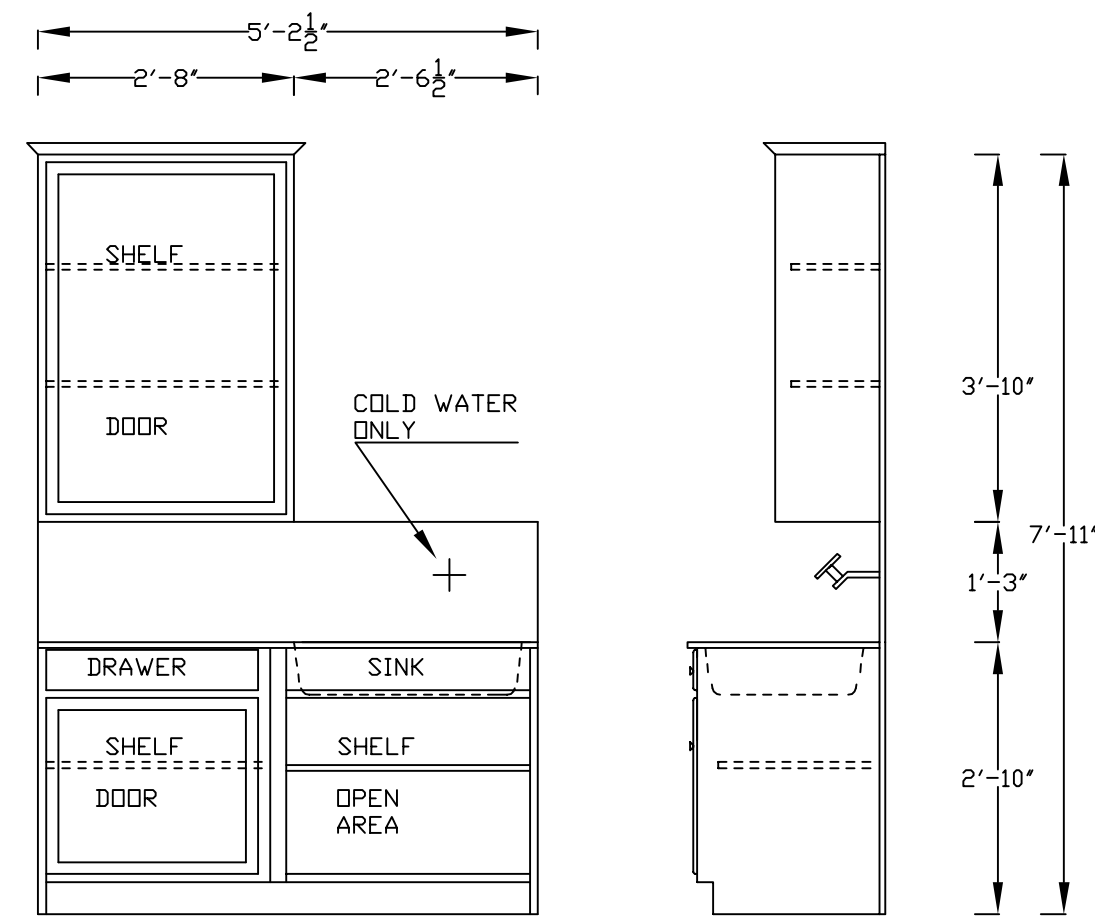
TITLE: U.S. FAMILY INTERNMENT CAMP
CRYSTAL CITY, TEXAS

REV:	SCHEDULE "AA" - PLOT SURVEY - COLOR
02-22-2011	WILLIAM FRANKE, COUNTY SURVEYOR OF ZAVALA COUNTY, TEXAS (25 MAY 1948) & D.W. LUCAS, CHIEF, PROPERTY MANAGEMENT DIVISION, WAR ASSETS ADMINISTRATION (9 JANUARY 1949).
09-26-2011	ORIGINALS PROVIDED BY: JOANNA WARTEMANN-HOWELL, FORMER INTERNEE & AVERY HOWELL, NARA SOUTHWEST COLLECTION, FORT WORTH, TEXAS
TOTAL PLOT SIZE: 290 ACRES	DRAWING #02 OF 12
DRAWN BY: WERNER R. ULRICH, FORMER INTERNEE	
SCALE: 1"=250'	DRAWN: 12-10-2010 ©2011 WERNER R. ULRICH

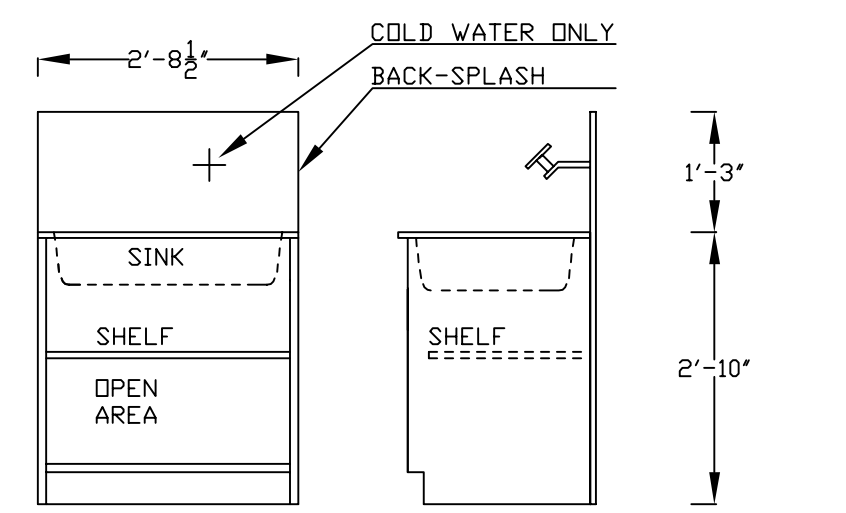
D



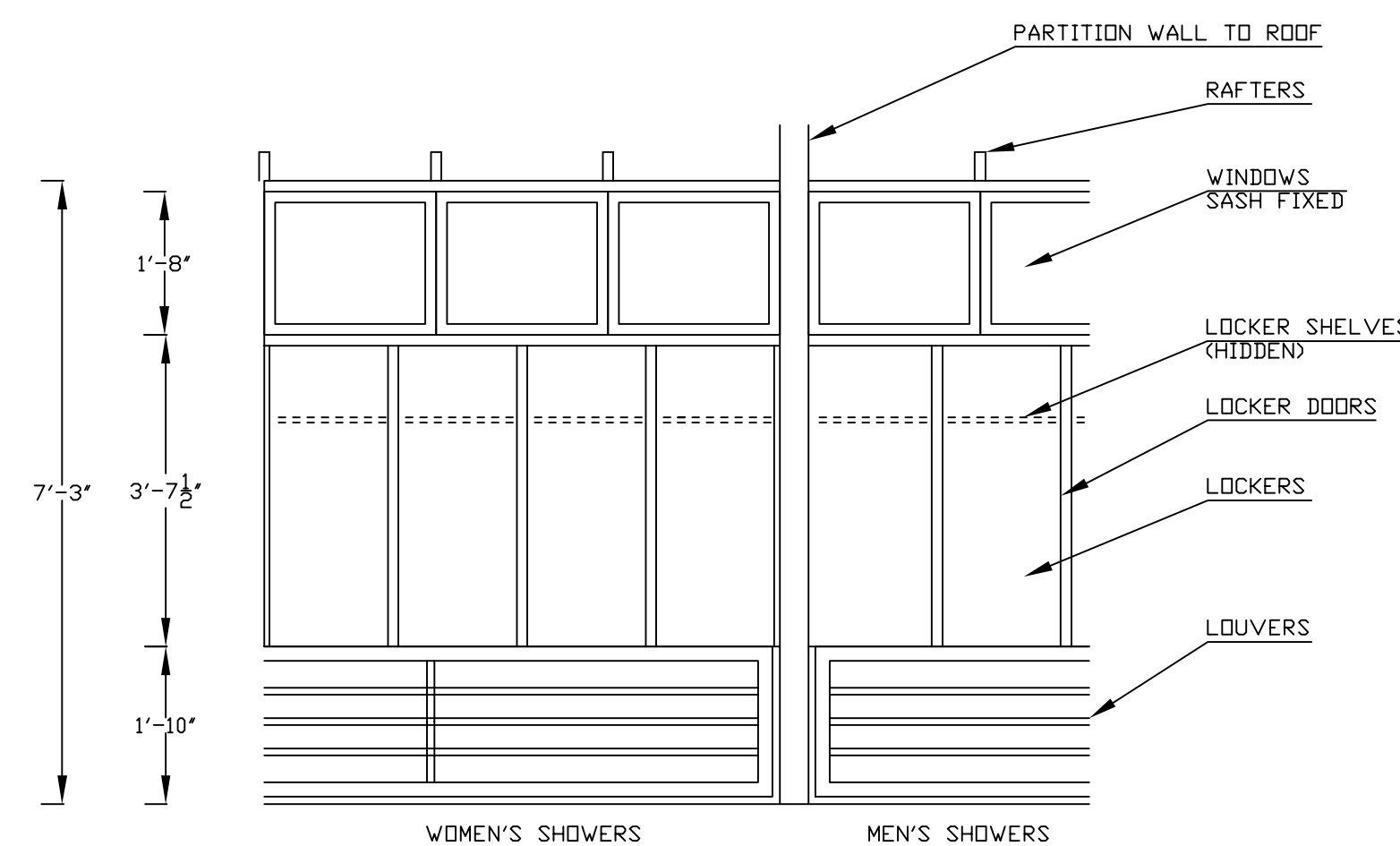
SECTION A-A ELEVATION OF CABINET SINGLE FAMILY DWELLING SHOWN AS UNIT 'C' IN PLOT PLAN



SECTION B-B - ELEVATION OF CABINET TWO & THREE FAMILY DWELLINGS SHOWN AS UNITS 'D' & 'T' IN PLOT PLAN



SECTION C-C ELEVATION OF CABINET FOUR FAMILY DWELLINGS SHOWN AS UNIT 'Q' IN PLOT PLAN

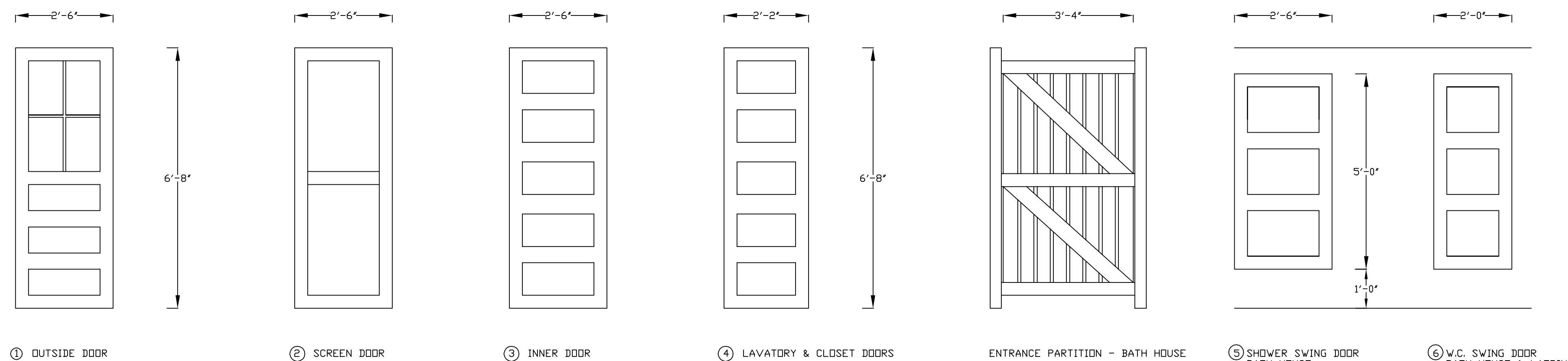


SECTION D-D - ELEVATION OF LOCKERS - BATH HOUSE

CABINET SCHEDULE

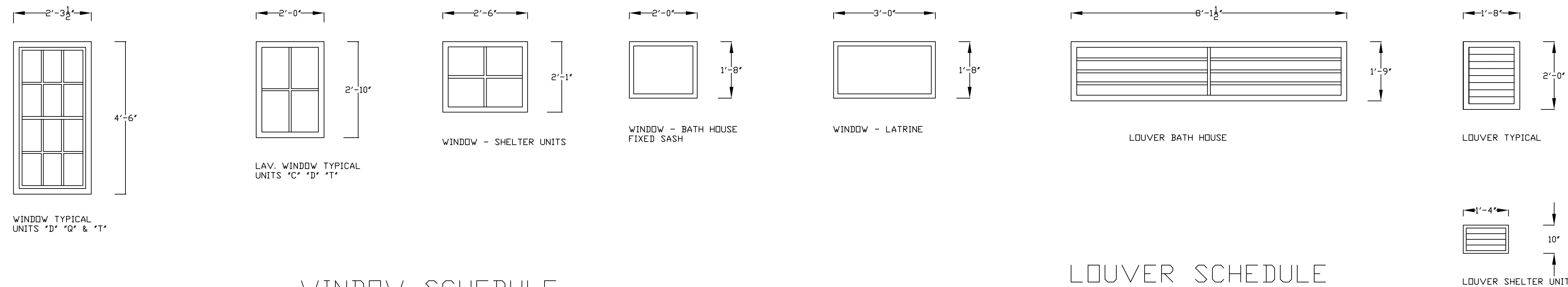
BATH HOUSE SCHEDULE

BUILDINGS	
NAME	COUNT
SHELTER UNITS	108
VICTORY HUTS	157
DWELLING UNIT 'C'	68
DWELLING UNIT 'D'	61
DWELLING UNIT 'T'	54
DWELLING UNIT 'Q'	95
WPA SHANTY	11
BATH HOUSE	5
GERMAN BATH HOUSE (POOL)	1
JAPANESE BATH HOUSE (POOL)	1
LATRINE	9
KITCHEN/BAKERY/MESS HALL	1
LAUNDRY	2
ADMINISTRATION	1
COMMUNITY	1
SCHOOL	4
HOSPITAL (70 BED)	1
SHOE SHOP	1
GROCERY, BUTCHER, MARKET PLACE	1
CLOTHING STORE	1
CANTEEN	2
BARBER SHOP	1
SEWING SHOP	1
SHEETMETAL SHOP	1
CARPENTRY SHOP	1
TRUCK SHOP	1
ICE SHED	1
SPORTS OFFICE	1
RECREATION HALL	1
BOILER HOUSE	1
PRINT SHOP	1
FIRE HOUSE	1
LIAISON OFFICE	1
MAINTENANCE	3
WAREHOUSE	15
SLAUGHTER HOUSE (FARM LAND)	1
GATE HOUSE	1
GUARD TOWERS	6



① OUTSIDE DOOR ② SCREEN DOOR ③ INNER DOOR ④ LAVATORY & CLOSET DOORS ENTRANCE PARTITION - BATH HOUSE ⑤ SHOWER SWING DOOR BATH HOUSE ⑥ W.C. SWING DOOR BATH HOUSE & LATRINE

DOOR SCHEDULE



WINDOW TYPICAL UNITS 'D', 'Q' & 'T'

LAV. WINDOW TYPICAL UNITS 'C', 'D' & 'T'

WINDOW - SHELTER UNITS

WINDOW - BATH HOUSE FIXED SASH

WINDOW - LATRINE

LOUVER BATH HOUSE

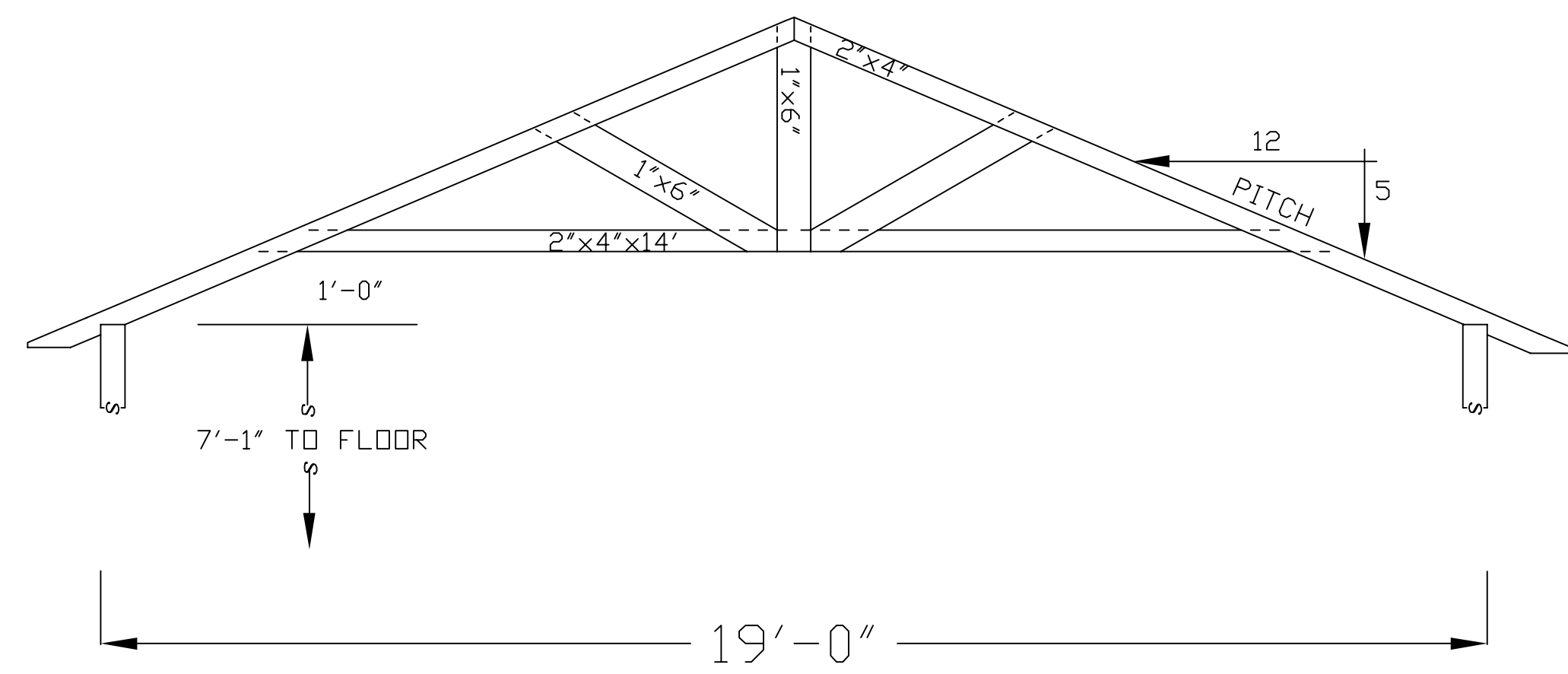
LOUVER TYPICAL

LOUVER SHELTER UNITS

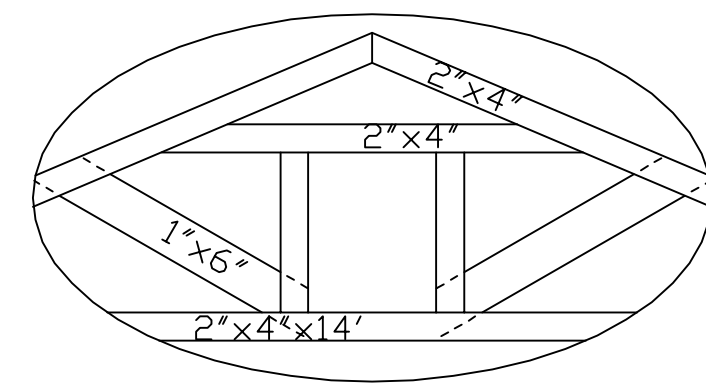
LOUVER SCHEDULE

WINDOW SCHEDULE

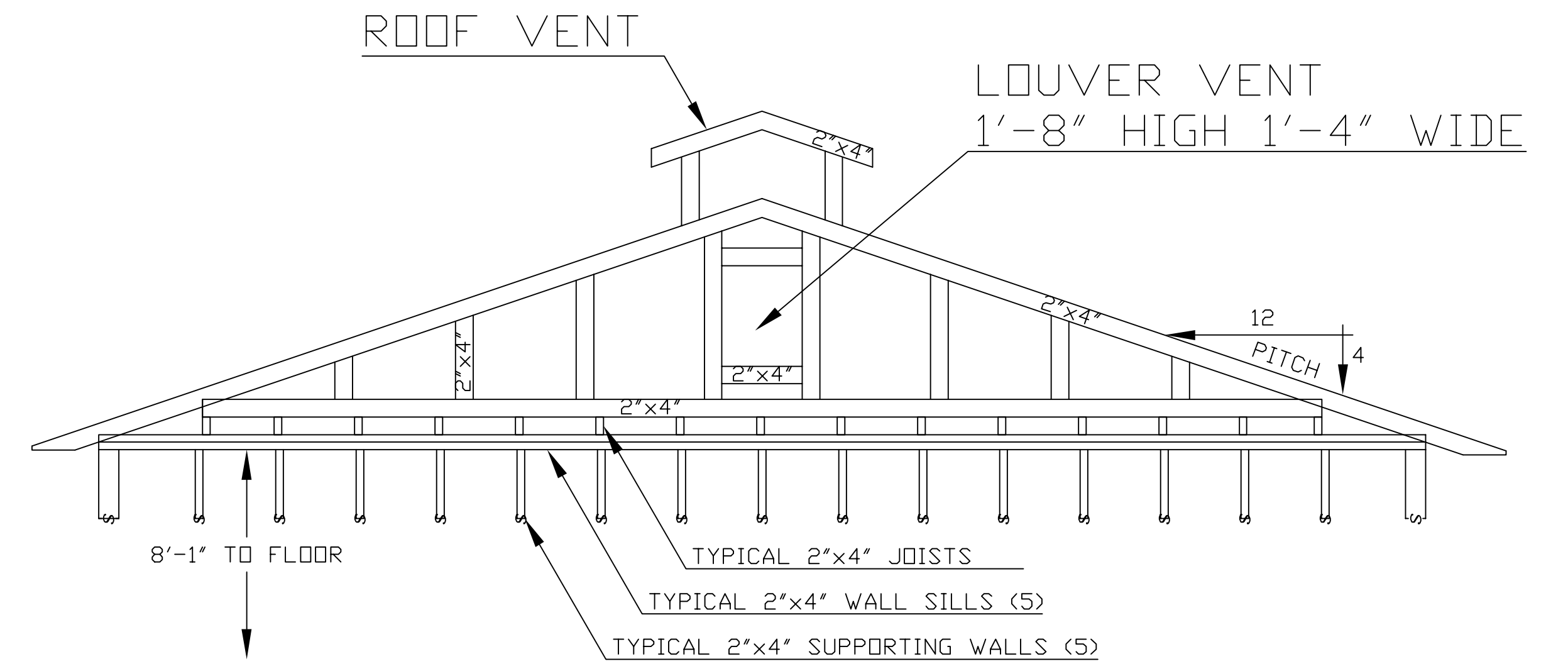
TITLE: U.S. FAMILY INTERNMENT CAMP CRYSTAL CITY, TEXAS	
REV:	SCHEDULE "B"
12-10-2010 02-22-2011	U.S. DEPARTMENT OF JUSTICE IMMIGRATION & NATURALIZATION SERVICE PHILADELPHIA, PA (31 AUGUST 1944)
PROVIDED BY: JOANNA WARTMANN-HOWELL, FORMER INTERNEE, & AVERY HOWELL. NARA SOUTHWEST COLLECTION, FORT WORTH, TEXAS.	
ELEVATION DETAILS	DRAWING #03 OF 12
DRAWN BY: WERNER R. ULRICH, FORMER INTERNEE	
SCALE: 1/2"=1'	DRAWN: 10-26-2010 ©2011 WERNER R. ULRICH



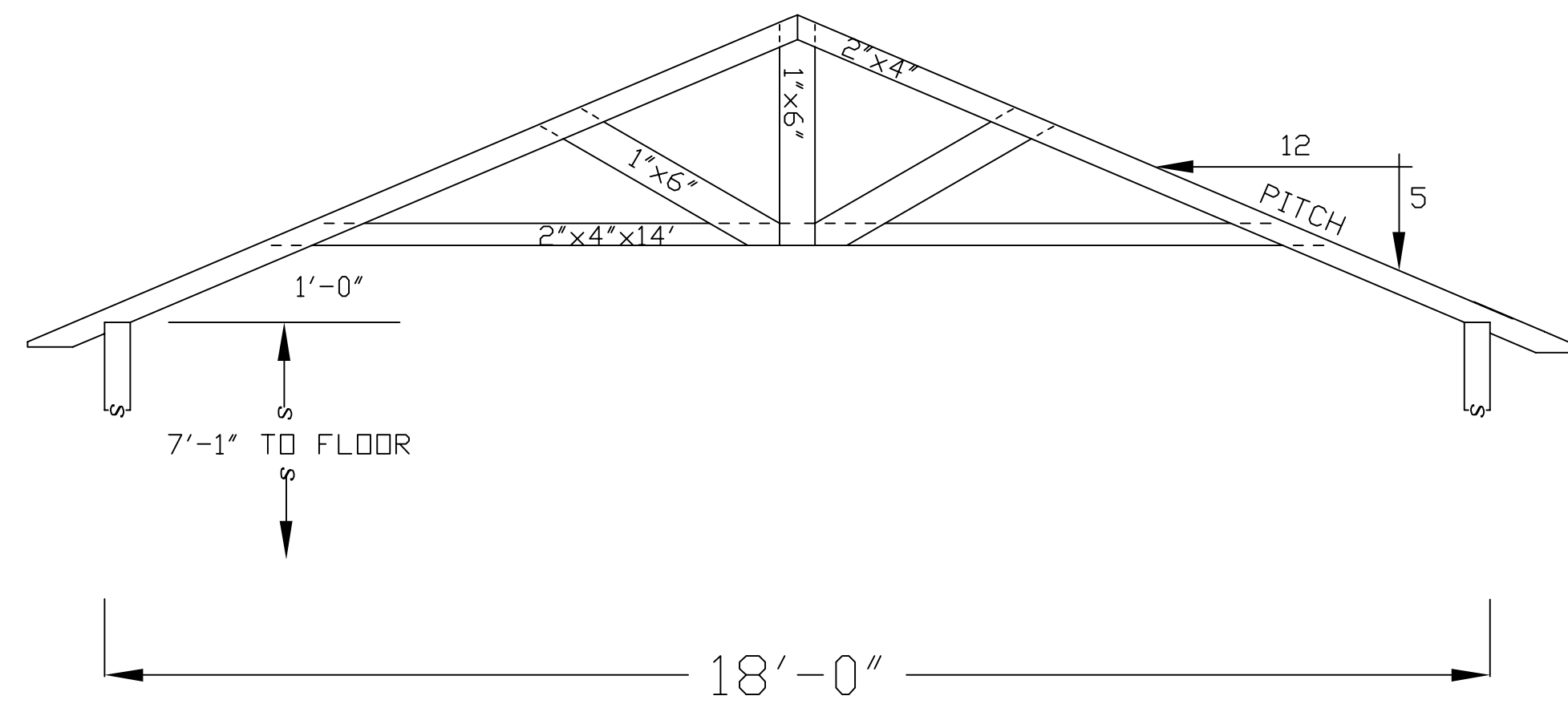
ROOF TRUSS DETAIL COTTAGE "C"



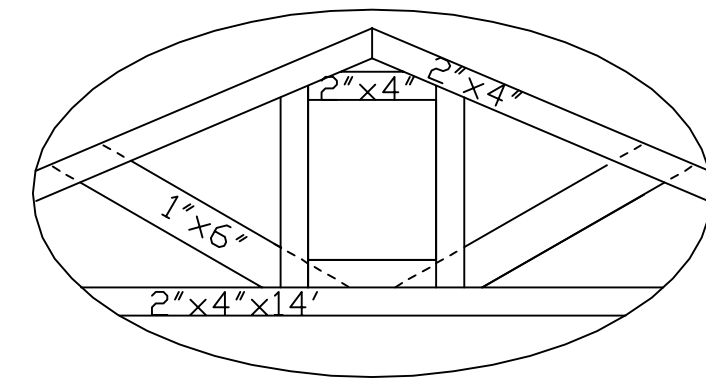
LOUVER VENT FRAMING
OUTSIDE WALLS
1'-8" HIGH 1'-4" WIDE



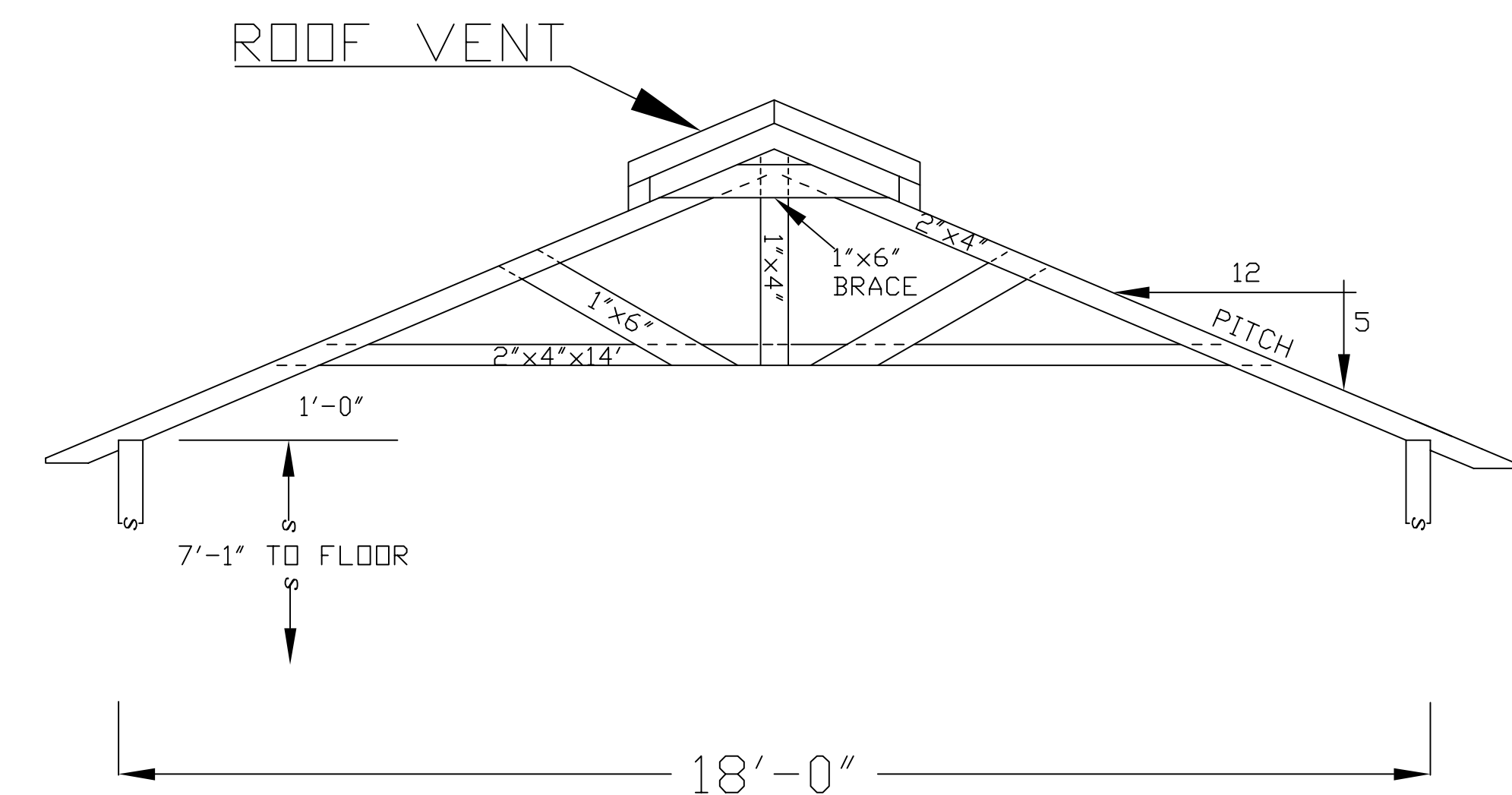
ROOF GABLE DETAIL DWELLING UNIT "Q"



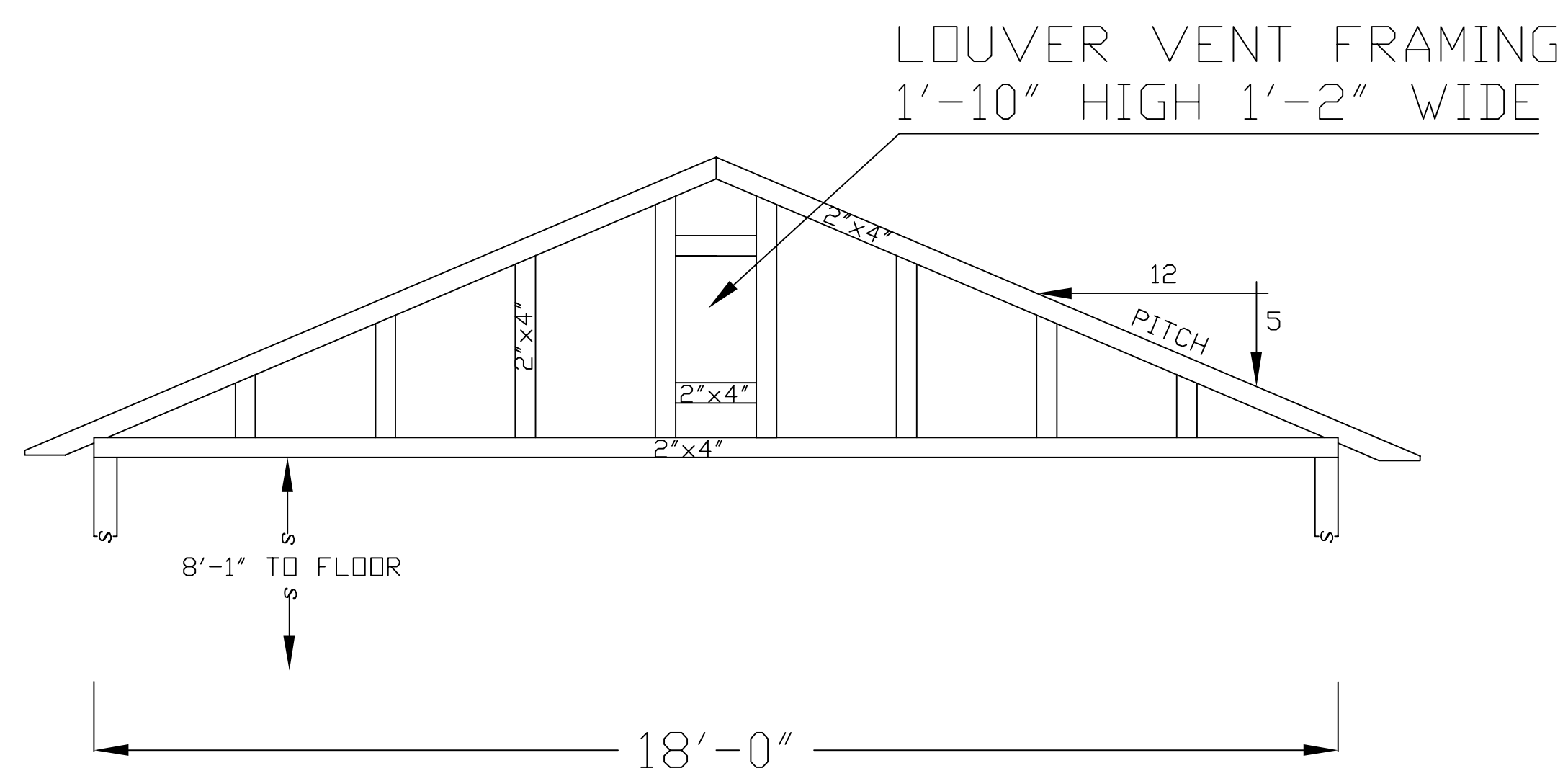
ROOF TRUSS DETAIL DWELLING UNIT "D"



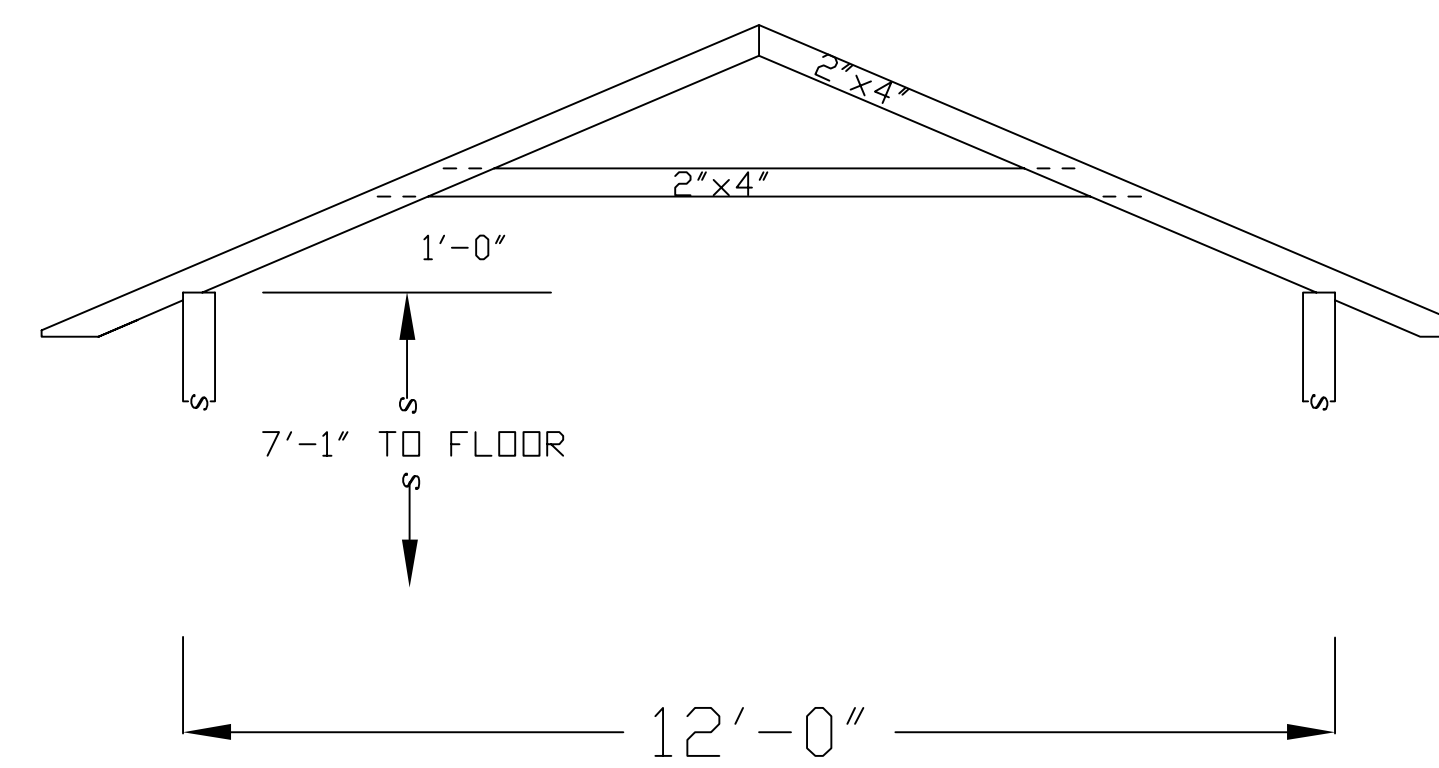
LOUVER VENT FRAMING
OUTSIDE WALLS
1'-8" HIGH 1'-4" WIDE



ROOF TRUSS DETAIL BATH HOUSE

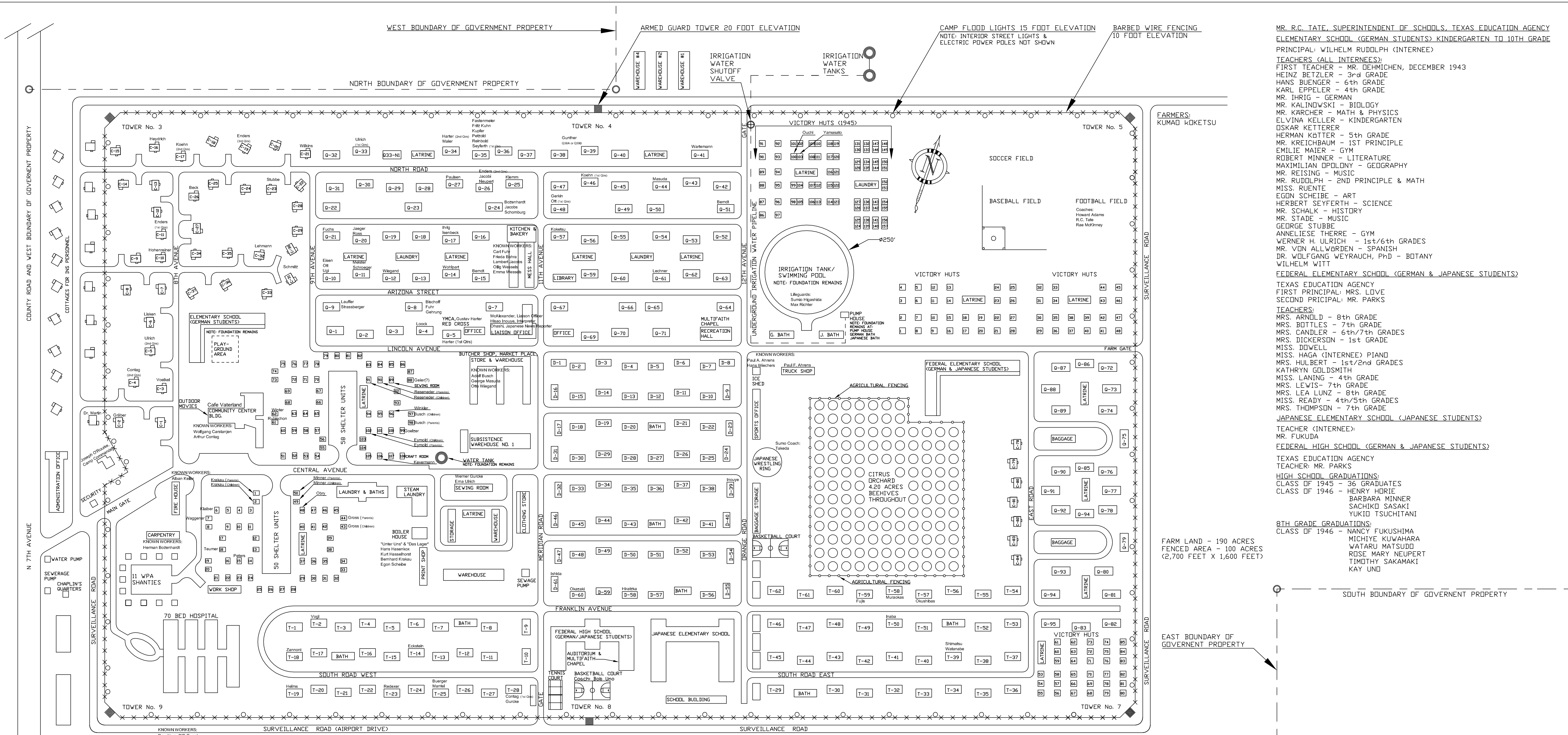


ROOF GABLE DETAIL DWELLING UNIT "T"



ROOF TRUSS DETAIL SHELTER UNITS

TITLE: U.S. FAMILY INTERNMENT CAMP CRYSTAL CITY, TEXAS	
REV:	SCHEDULE "C"
U.S. DEPARTMENT OF JUSTICE IMMIGRATION & NATURALIZATION SERVICE PHILADELPHIA, PA (31 AUGUST 1944)	
PROVIDED BY: JOANNA WARTMANN-HOWELL, FORMER INTERNEE, & AVERY HOWELL, NARA SOUTHWEST COLLECTION, FORT WORTH, TEXAS.	
ROOF DETAILS	DRAWING #04 OF 12
DRAWN BY: WERNER R. ULRICH, FORMER INTERNEE	
SCALE: 1/2"=1'	DRAWN: 09-26-2011 ©2011 WERNER R. ULRICH



MR. R.C. TATE, SUPERINTENDENT OF SCHOOLS, TEXAS EDUCATION AGENCY
 ELEMENTARY SCHOOL (GERMAN STUDENTS) KINDERGARTEN TO 10TH GRADE
 PRINCIPAL: WILHELM RUDOLPH (INTERNEE)
 TEACHERS (ALL INTERNEES):
 FIRST TEACHER - MR. DEWICHEN, DECEMBER 1943
 HEINZ BETZLER - 3rd GRADE
 HANS BUENGER - 6th GRADE
 KARL EPPER - 4th GRADE
 MR. IHRIG - GERMAN
 MR. KALINOWSKI - BIOLOGY
 MR. KARCHER - MATH & PHYSICS
 ELVINA KELLER - KINDERGARTEN
 DSKAR KETTERER
 HERMAN KÖTTER - 5th GRADE
 MR. KREICHBAUM - 1ST PRINCIPLE
 EMILIE MAIER - GYM
 ROBERT MINNER - LITERATURE
 MAXIMILIAN OPOLONY - GEOGRAPHY
 MR. REISING - MUSIC
 MR. RUDOLPH - 2ND PRINCIPLE & MATH
 MISS. RUENTE
 EGDN SCHEIBE - ART
 HERBERT SEYFERTH - SCIENCE
 MR. SCHALK - HISTORY
 MR. STADE - MUSIC
 GEORGE STUBBE
 ANNELIESE THERRE - GYM
 WERNER H. ULRICH - 1st/6th GRADES
 MR. VON ALLWÖRDEN - SPANISH
 DR. WOLFGANG WEYRAUCH, PH.D. - BOTANY
 WILHELM WITT

FEDERAL ELEMENTARY SCHOOL (GERMAN & JAPANESE STUDENTS)
 TEXAS EDUCATION AGENCY
 FIRST PRINCIPAL: MRS. LOVE
 SECOND PRINCIPAL: MR. PARKS
 TEACHERS:
 MRS. ARNOLD - 8th GRADE
 MRS. BOTTLES - 7th GRADE
 MRS. CANDLER - 6th/7th GRADES
 MRS. DICKERSON - 1st GRADE
 MISS. DOWELL
 MISS. HAGA (INTERNEE) PIANO
 MRS. HULBERT - 1st/2nd GRADES
 KATHRYN GOLDSMITH
 MISS. LANING - 4th GRADE
 MRS. LEWIS - 7th GRADE
 MRS. LEA LUNZ - 8th GRADE
 MISS. READY - 4th/5th GRADES
 MRS. THOMPSON - 7th GRADE

JAPANESE ELEMENTARY SCHOOL (JAPANESE STUDENTS)
 TEACHER (INTERNEE):
 MR. FUKUDA
 FEDERAL HIGH SCHOOL (GERMAN & JAPANESE STUDENTS)
 TEXAS EDUCATION AGENCY
 TEACHER: MR. PARKS
 HIGH SCHOOL GRADUATIONS:
 CLASS OF 1945 - 36 GRADUATES
 CLASS OF 1946 - HENRY HORIE
 BARBARA MINNER
 SACHIKO SASAKI
 YUKIO TSUCHITANI
 8TH GRADE GRADUATIONS:
 CLASS OF 1946 - NANCY FUKUSHIMA
 MICHIE KUWAHARA
 WATARU MATSUDDO
 ROSE MARY NEUPERT
 TIMOTHY SAKAMAKI
 KAY UND

FARMERS:
 KUMAD KOKETSU

FARM LAND - 190 ACRES
 FENCED AREA - 100 ACRES
 (2,700 FEET X 1,600 FEET)

BOY SCOUTS OF AMERICA
 TROOP 26
 SCOUTMASTER JORDON

HOSPITAL STAFF
 U.S. PUBLIC HEALTH SERVICES:
 DR. SYMMES OLIVER, MD
 DR. ROBERT MARTIN, MD, US ARMY
 DR. FRIEDEL, DMD, US NAVY
 DR. EDWARD PUHATY, DMD
 MARY CLARK, RN
 EDITH MISHIE, RN
 PHEBE MULFERT, RN
 INTERNEES:
 DR. ADOLPH L. KAPPUS, MD
 DR. ISHIKO MORI, MD
 DR. MOTIKAZU MORI, MD
 DR. HIDEO INABA, DDS
 PAUL A. AHRENS, DENTAL ORDERLY
 HERMIDA DE GURCKE - NURSE'S AID
 ANNELIESE ENDERS - NURSE'S AID
 EBERHARD FUHR
 MISS. GROSS - NURSE'S AID
 ERIKA ISENBECK - NURSE'S AID
 SYLVI KNÖHR - NURSE'S AID
 ALFRED KRAKAU - OPERATING ROOM
 LEONORA KUDD - NURSE'S AID
 VICTORIA NAGAMURA - NURSE'S AID
 ELIZABETH PETZOLD - NURSE'S AID
 JAQUELINE REINBOLD - NURSE'S AID
 ERNA SCHWARZ - PRACTICAL NURSE
 CHARLOTTE STRUCK - NURSE'S AID
 JOSE WATANABE - NURSE'S AID
 SURVEYOR
 HANS ZERBE (INTERNEE)
 CIVIL ENGINEER
 ELMO ZANDINI (INTERNEE)

GERMAN-AMERICAN CHILDREN
 BORN IN HOSPITAL, 1943-47
 GIRLS:
 AREND
 BROCKMANN
 BUERGER
 CAMP
 DUEFFER
 FLEISCHER
 HEIL
 KIESSNER
 KRICHBAUM
 MEDINA
 MAHNKE
 NIEBUHR
 KUNY
 LISKEN
 NEUGEBAUER
 OBERMAYER
 REINBOLD
 RUDOLPH
 SANDWEG
 SCHMITZ
 ULRICH
 VOELKEL
 WEGENER
 WILKENS
 (OF RECORD)

JAPANESE-AMERICAN CHILDREN
 BORN IN HOSPITAL, 1943-47
 GIRLS:
 KOBAYASHI
 YAMASATO
 YANO
 BOYS:
 HAYAKAWA
 ISHIDA (KIBIMARO & KAZUMARO)
 DUCHI

DECEASED INTERNEES:
 KANAGAKI (1946)
 LUDWIG SCHUSTER MEDINA
 (JUNE 15, 1945-CHILD)
 TEOFELINA MEDINA DE SCHUSTER
 (MARCH 18, 1946 - MOTHER OF CHILD)
 ADOLF HEYDTMANN (APRIL 21, 1946)
 DSKAR UGI (DECEMBER 11, 1943)
ACCIDENT VICTIMS:
 AIKO OYAKAWA (AUGUST 1944-CHILD)
 EDGAR REINBOLD (MAY 13, 1944-CHILD)
 SACHIKO WATANABE (AUGUST 1944-CHILD)
DECEASED FOLLOWING RELEASE:
 HIDEEMARO ISHIDA (MIA-KOREAN WAR)

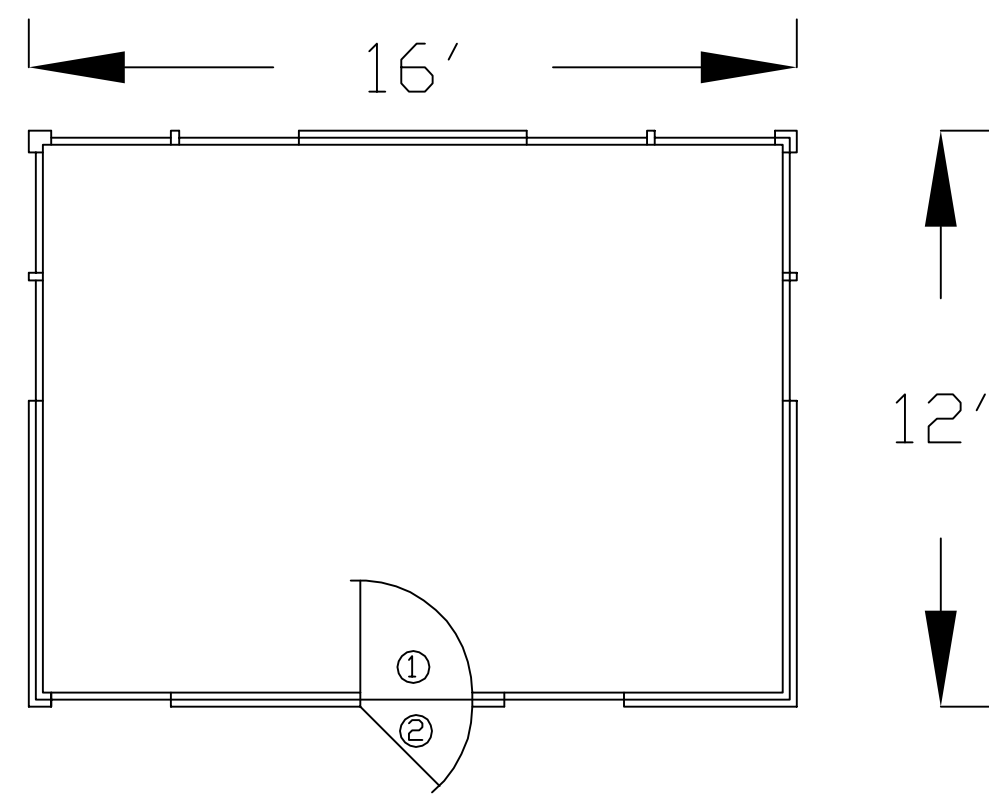
MARRIAGE DURING INTERNMENT:
 MR. DIETRICH TO MS. KEISER (1946)
MARRIAGES FOLLOWING RELEASES:
 EBERHARD FUHR TO BARBARA MINNER (1948)
 JULIUS FUHR TO ELFRIEDE HOFFMAN (2000)
 HANS GUTH TO LILLIAN PIXA (1953)
 ALFRED KRAKAU TO ANNELIESE BUSCH (1948)

COTTAGES FOR PERSONNEL
 NOTE: FOUNDATIONS REMAIN
 Wilson Love Miller
 Roscoe Hill McCallister

JAPANESE-AMERICAN MONUMENT (1985)
MONUMENT - TEXAS HISTORICAL COMMISSION (2005)

SOUTH BOUNDARY OF GOVERNMENT PROPERTY
 (E. HOLLAND/POPEYE STREET)

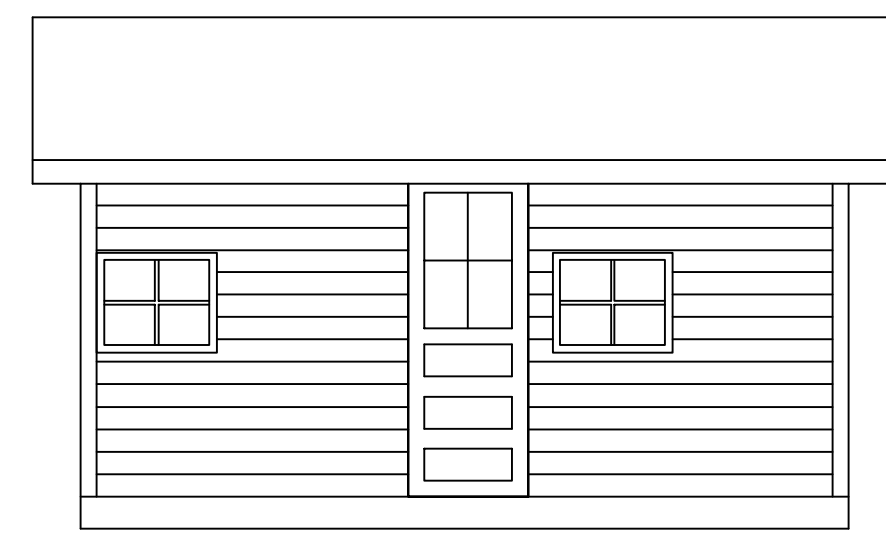
TITLE: U.S. FAMILY INTERNMENT CAMP CRYSTAL CITY, TEXAS	
REV:	PLOT PLAN WITH DETAILS
12-10-2010	U.S. DEPARTMENT OF JUSTICE IMMIGRATION & NATURALIZATION SERVICE PHILADELPHIA, PA (31 AUGUST 1944)
02-22-2011	INFORMATION PROVIDED HEREIN FROM VARIETY OF SOURCES, INCLUDING FORMER INTERNEES AND FAMILY MEMBERS OF FORMER CAMP OFFICIALS. (2010)
PLOT SIZE: 100 ACRES DRAWING #06 OF 12	
DRAWN BY: WERNER R. ULRICH, FORMER INTERNEE	
SCALE: 1"=120' DRAWN: 06-10-2010 ©2011 WERNER R. ULRICH	



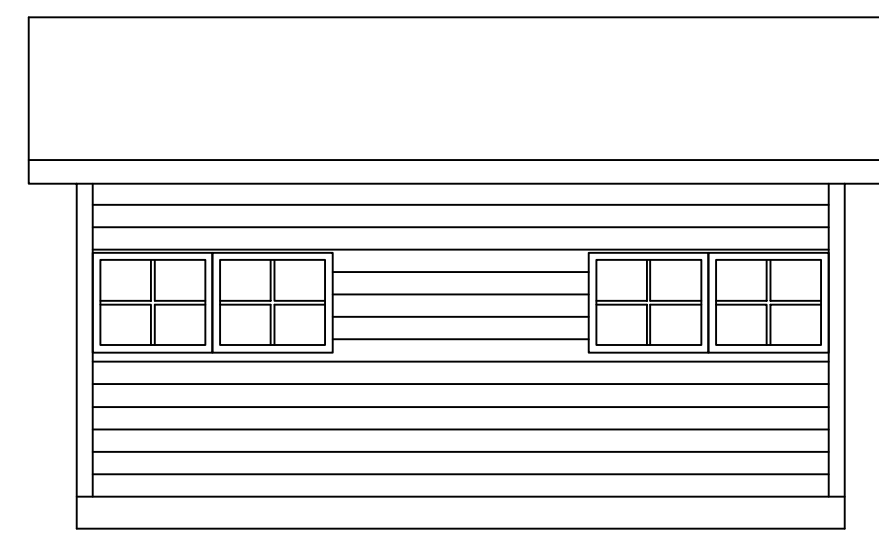
FLOOR PLAN

LIMITED DWELLING - SHOWN AS "SHELTER UNITS" IN PLOT PLAN

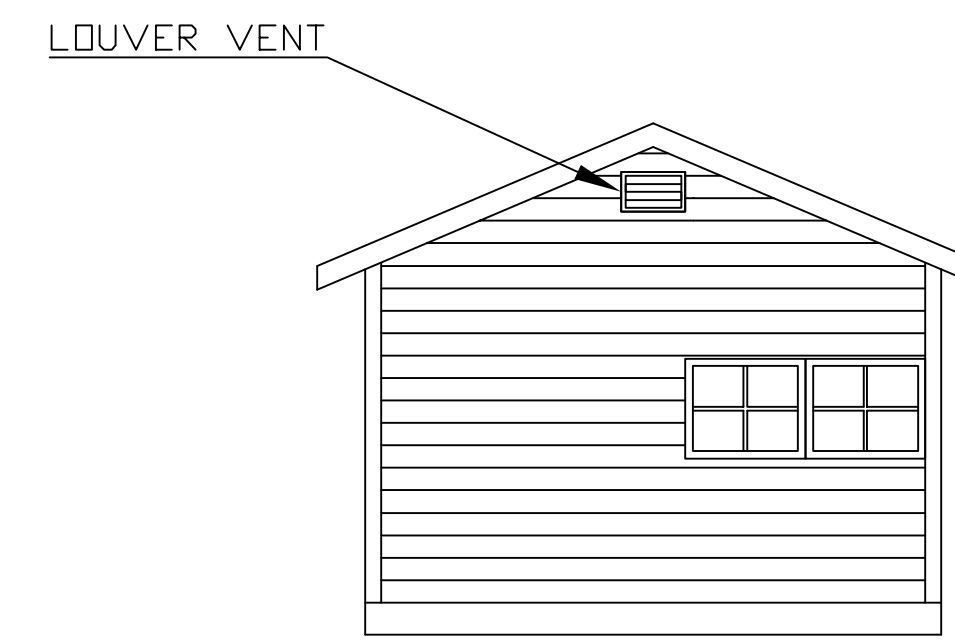
FRAME CONSTRUCTION ON 6" CONCRETE FLOOR, OIL TREATED REDWOOD SIDING, SHINGLE ROOF



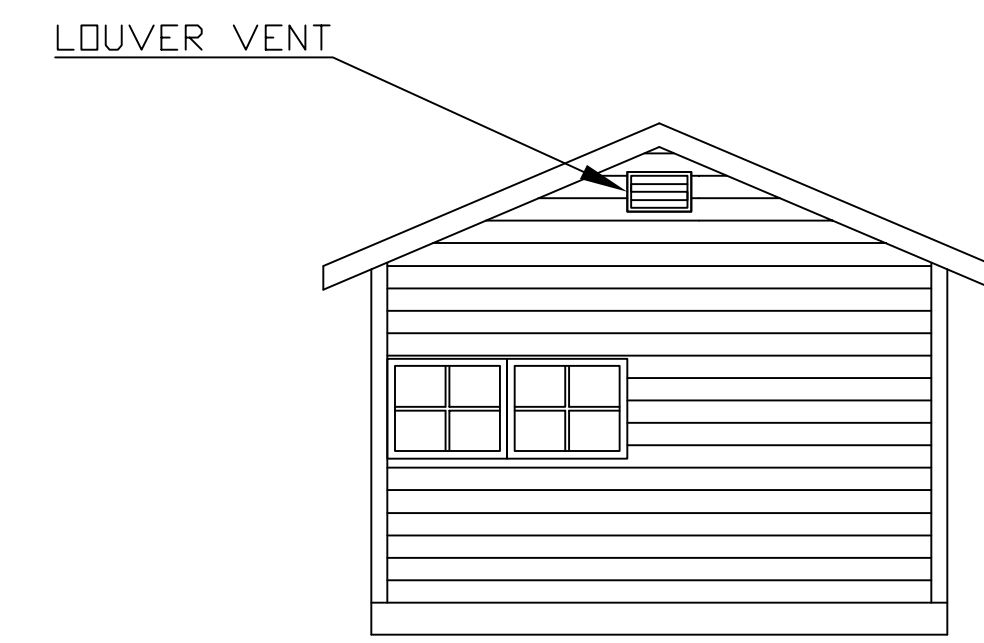
FRONT ELEVATION VIEW



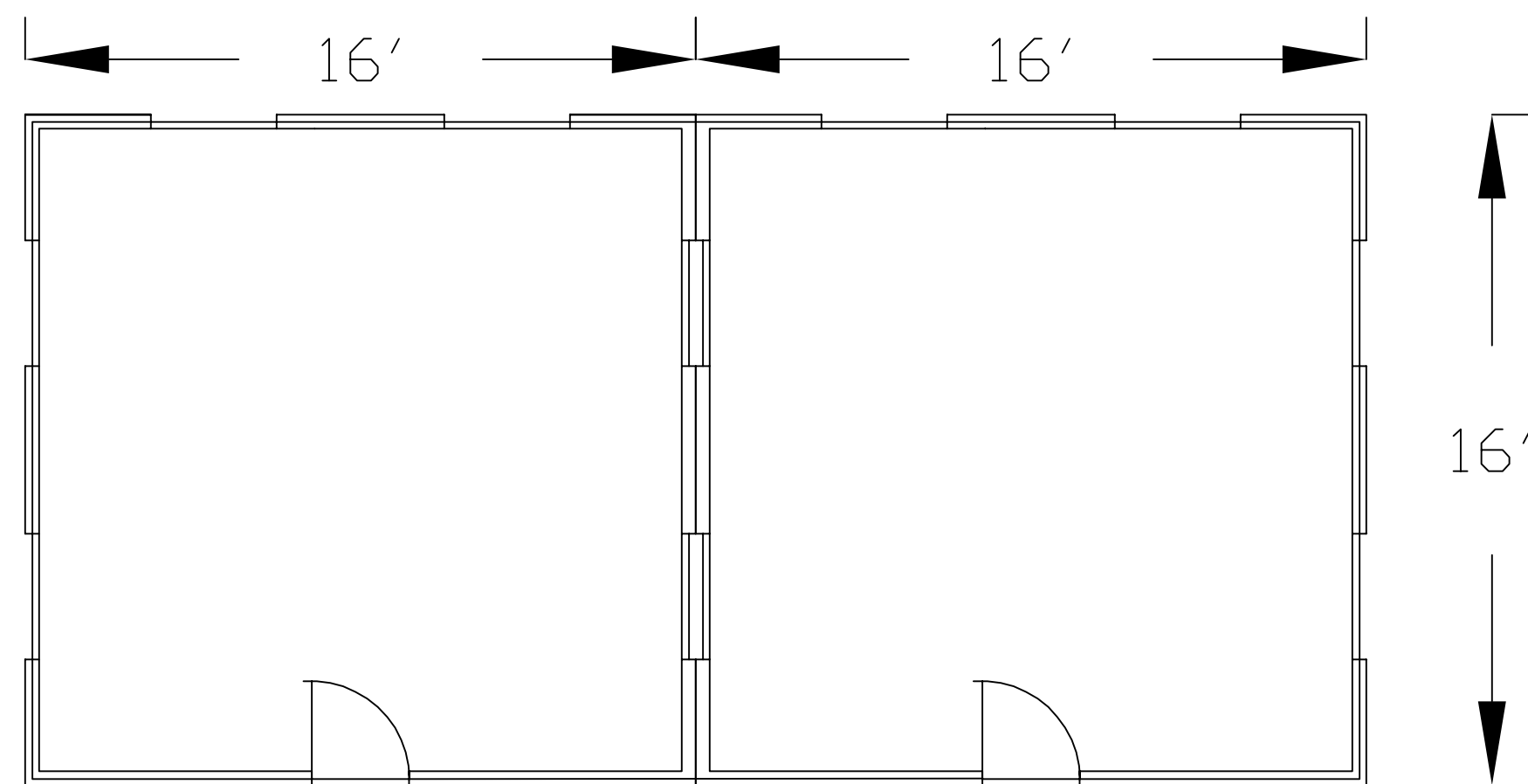
REAR ELEVATION VIEW



RIGHT ELEVATION VIEW



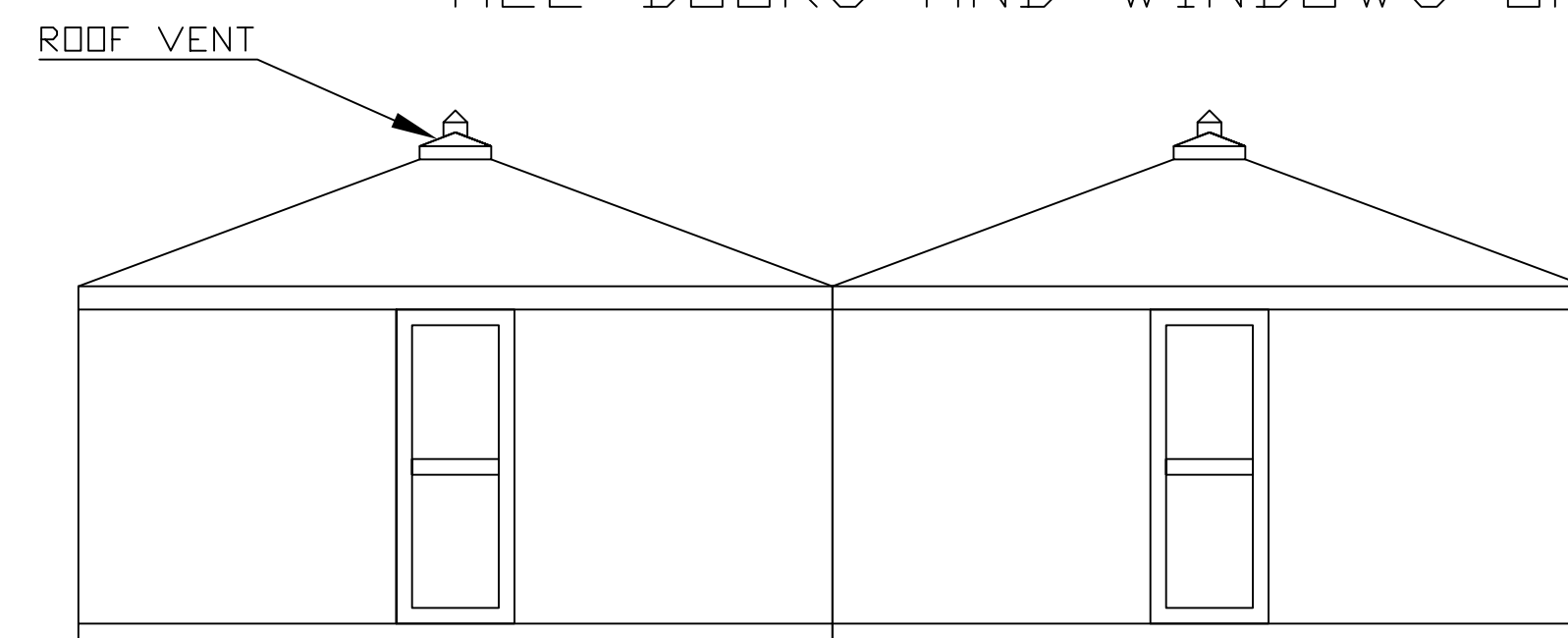
LEFT ELEVATION VIEW



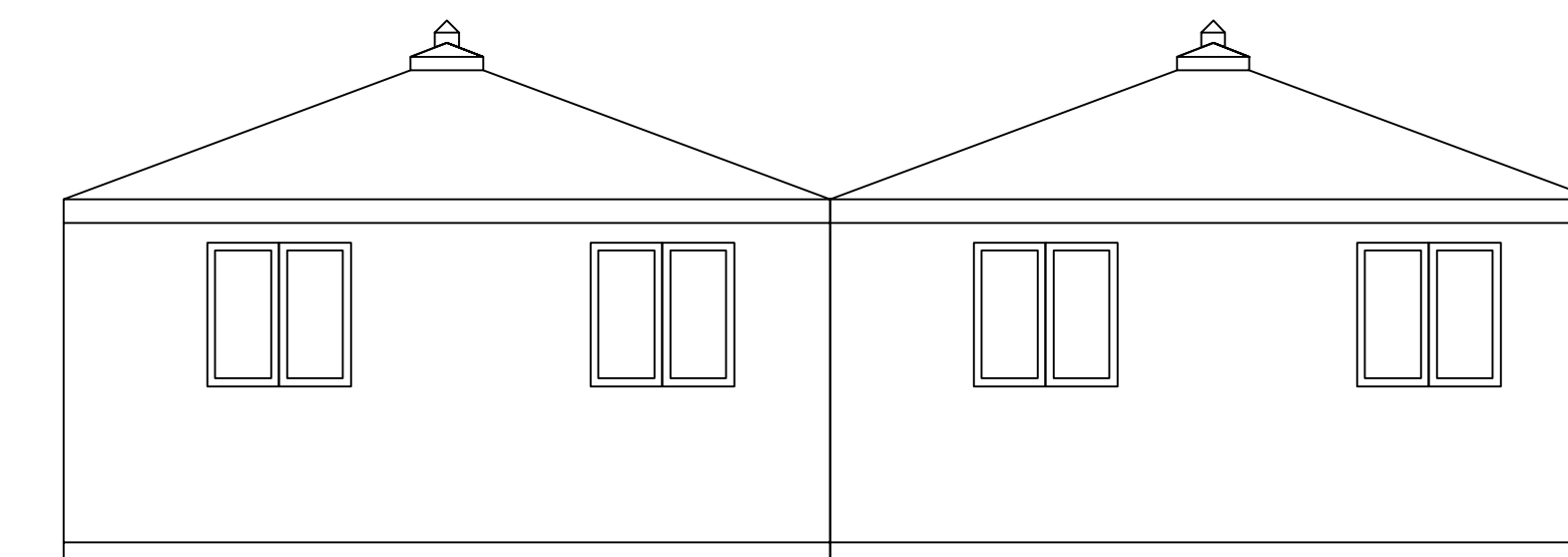
FLOOR PLAN

LIMITED DWELLING - DOUBLE UNIT - PREFABRICATED - SHOWN AS "VICTORY HUTS" IN PLOT PLAN

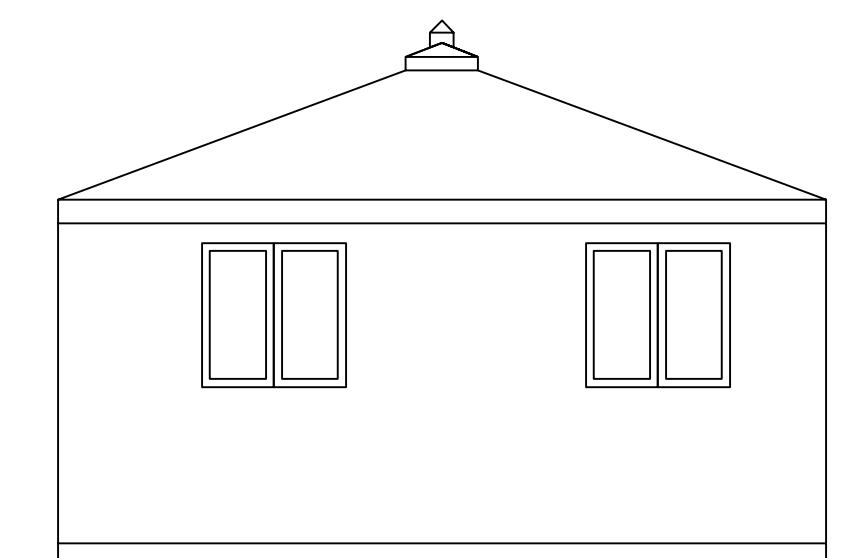
ALL STRUCTURES OF TIN MATERIAL PAINTED & BAKED WHITE
ALL DOORS AND WINDOWS OF ALUMINUM MATERIAL PAINTED & BAKED WHITE



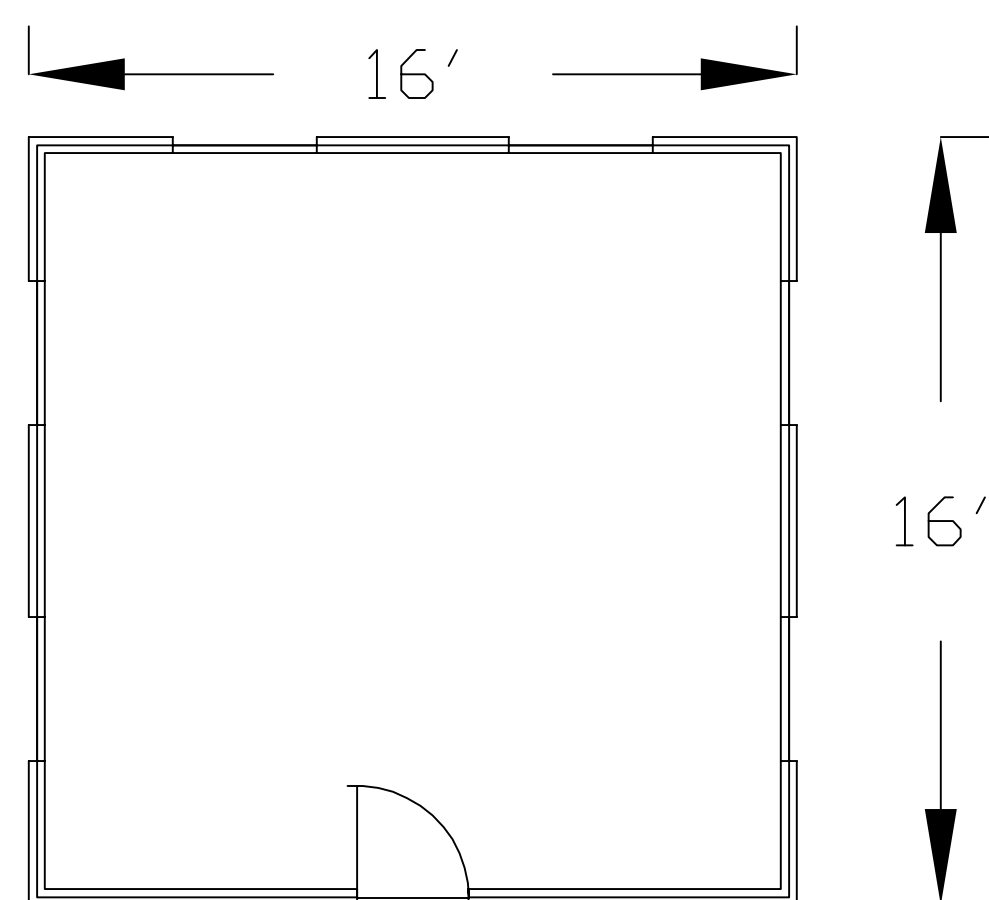
FRONT ELEVATION VIEW



REAR ELEVATION VIEW



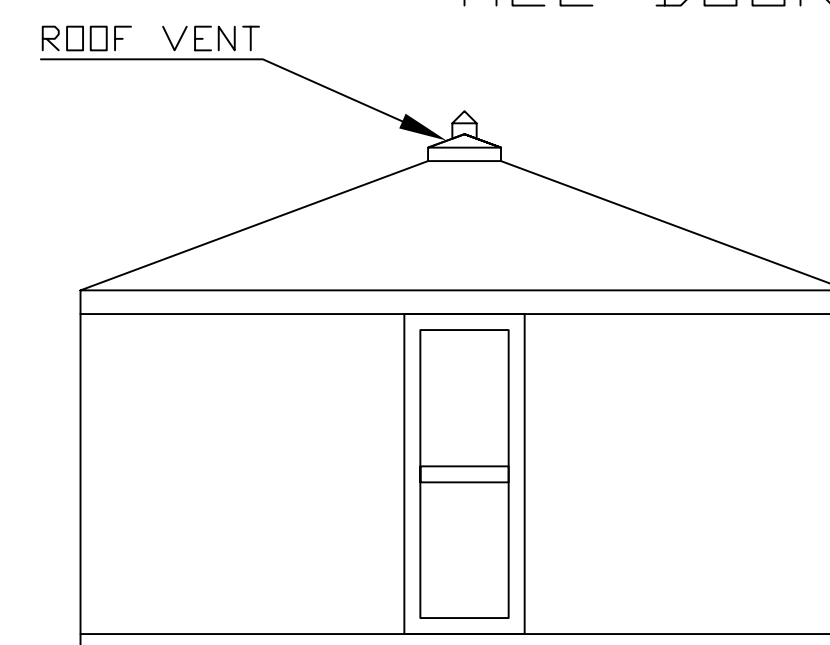
SIDE ELEVATION VIEW



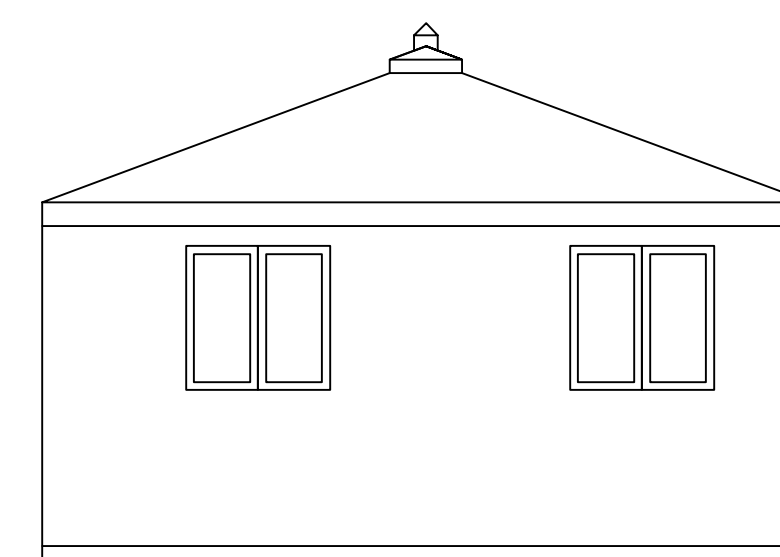
FLOOR PLAN

LIMITED DWELLING - SINGLE UNIT - PREFABRICATED - SHOWN AS "VICTORY HUTS" IN PLOT PLAN

ALL STRUCTURES OF TIN MATERIAL PAINTED & BAKED WHITE ON 6" CONCRETE FLOOR
ALL DOORS AND WINDOWS OF ALUMINUM MATERIAL PAINTED & BAKED WHITE



FRONT ELEVATION VIEW

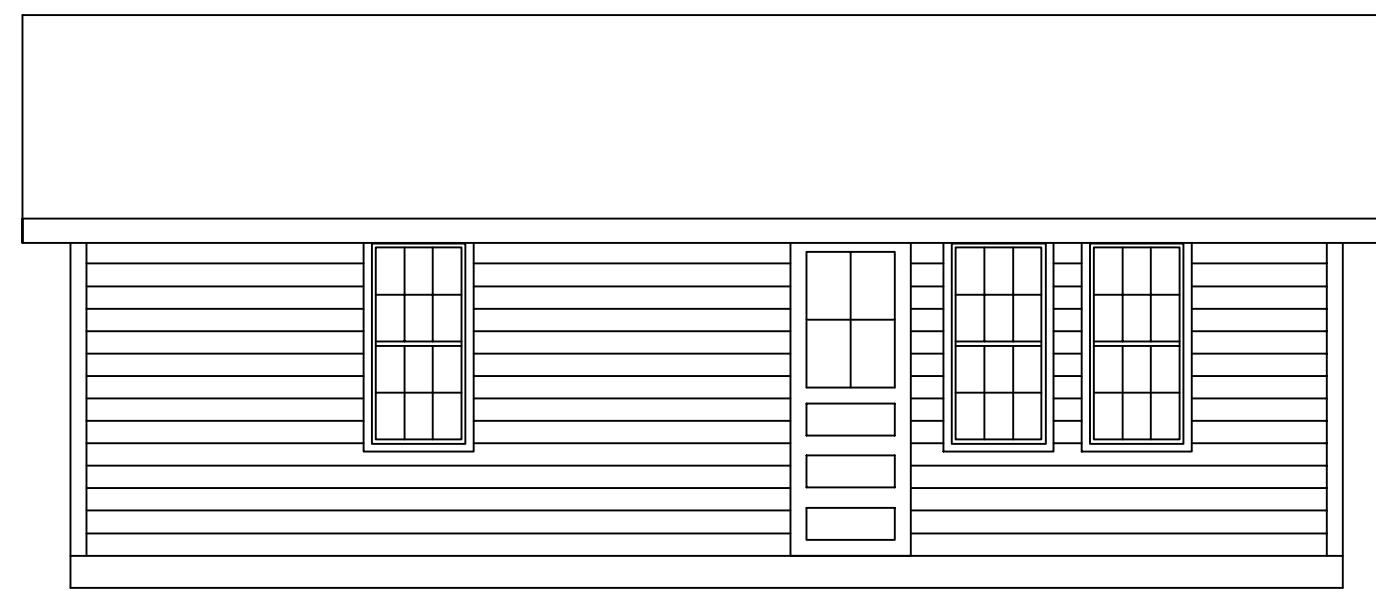


RIGHT, LEFT & REAR ELEVATION VIEW

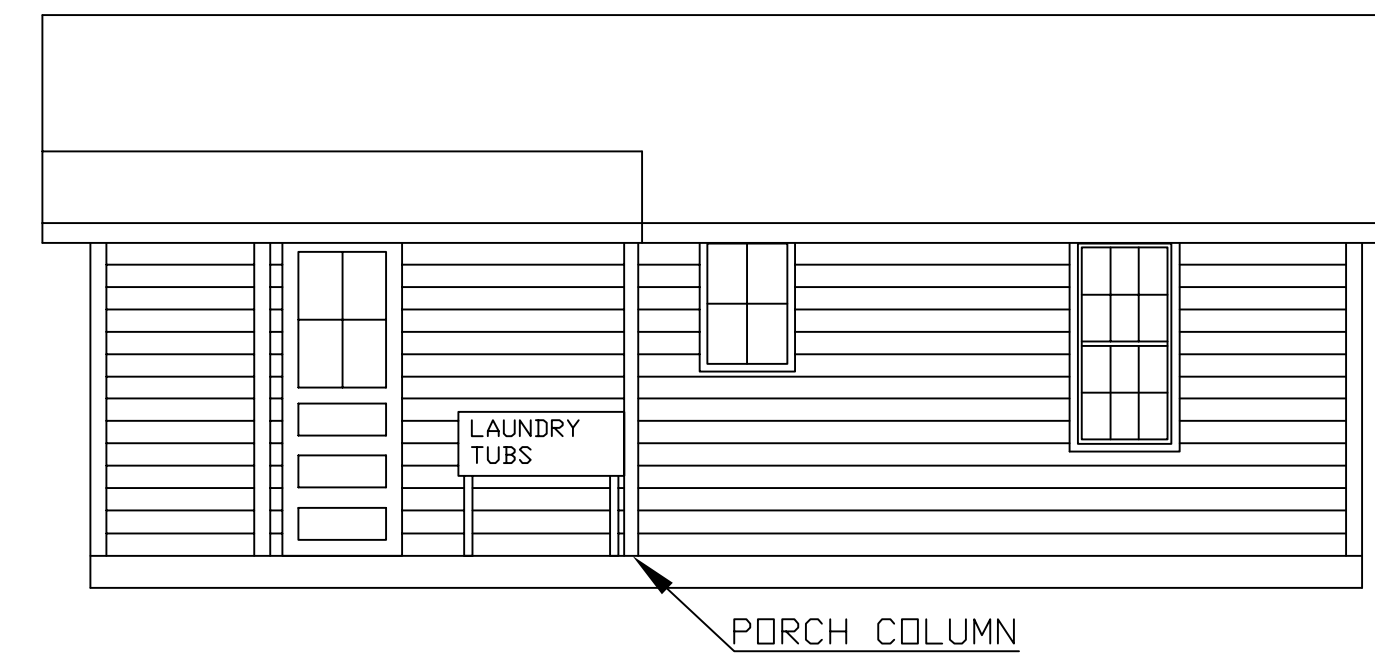
TITLE: U.S. FAMILY INTERNMENT CAMP
CRYSTAL CITY, TEXAS

REV:	SHELTER UNITS & VICTORY HUTS
09-26-2010	U.S. DEPARTMENT OF JUSTICE
02-22-2011	IMMIGRATION & NATURALIZATION SERVICE PHILADELPHIA, PA (31 AUGUST 1944)
	PROVIDED BY: ANNELIESE BUSCH-KRAKAU AND ARTHUR JACOBS, FORMER INTERNEES, & PHOTOS (CIRCA 1945).
FLOOR PLANS & ELEVATIONS	DRAWING #07 OF 12
DRAWN BY: WERNER R. ULRICH, FORMER INTERNEE	
SCALE: 1/4"=1'	DRAWN: 06-24-2010 ©2011 WERNER R. ULRICH

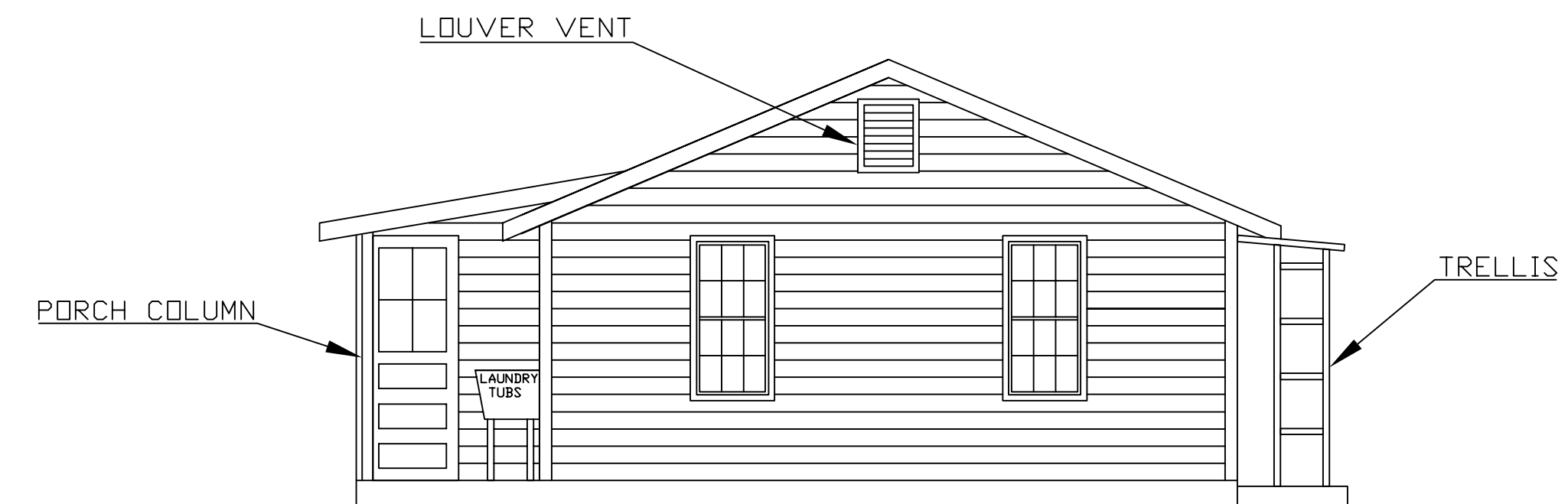
FRAME CONSTRUCTION ON 6" CONCRETE FLOOR, OIL TREATED REDWOOD SIDING, SHINGLE ROOF



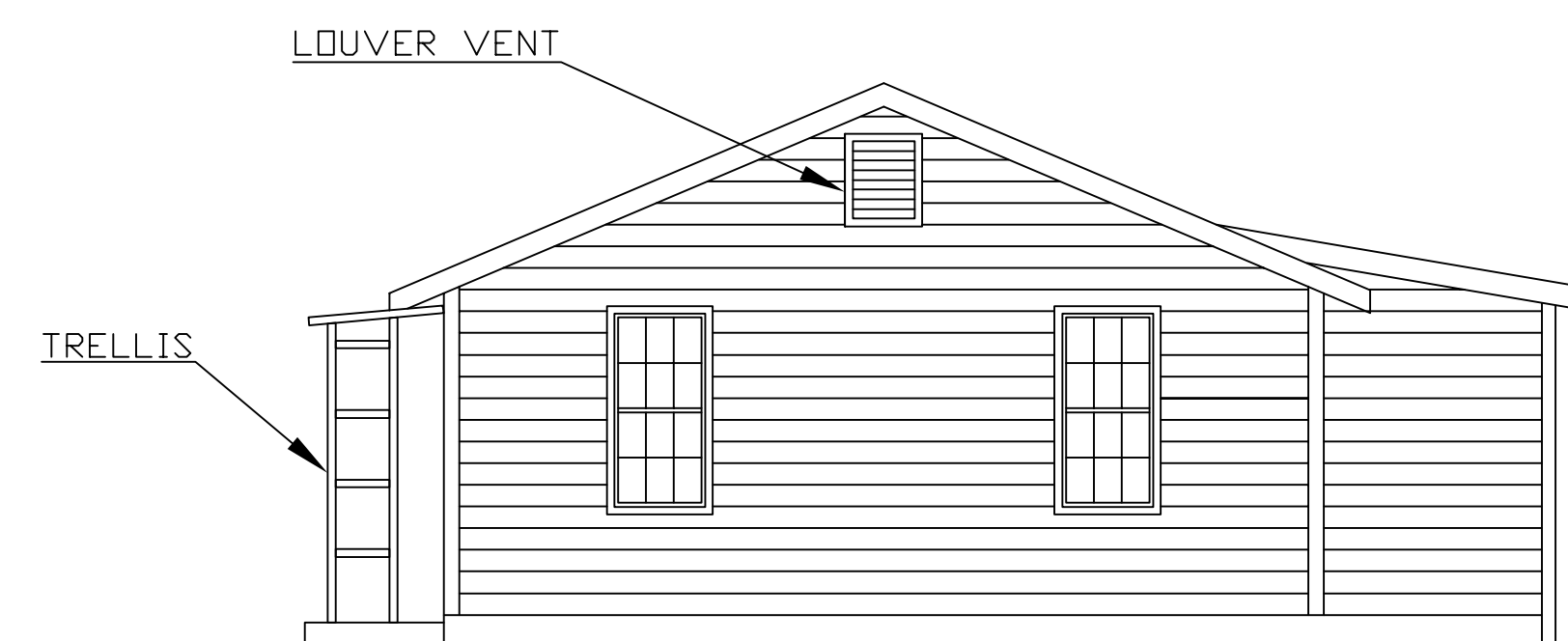
FRONT ELEVATION VIEW



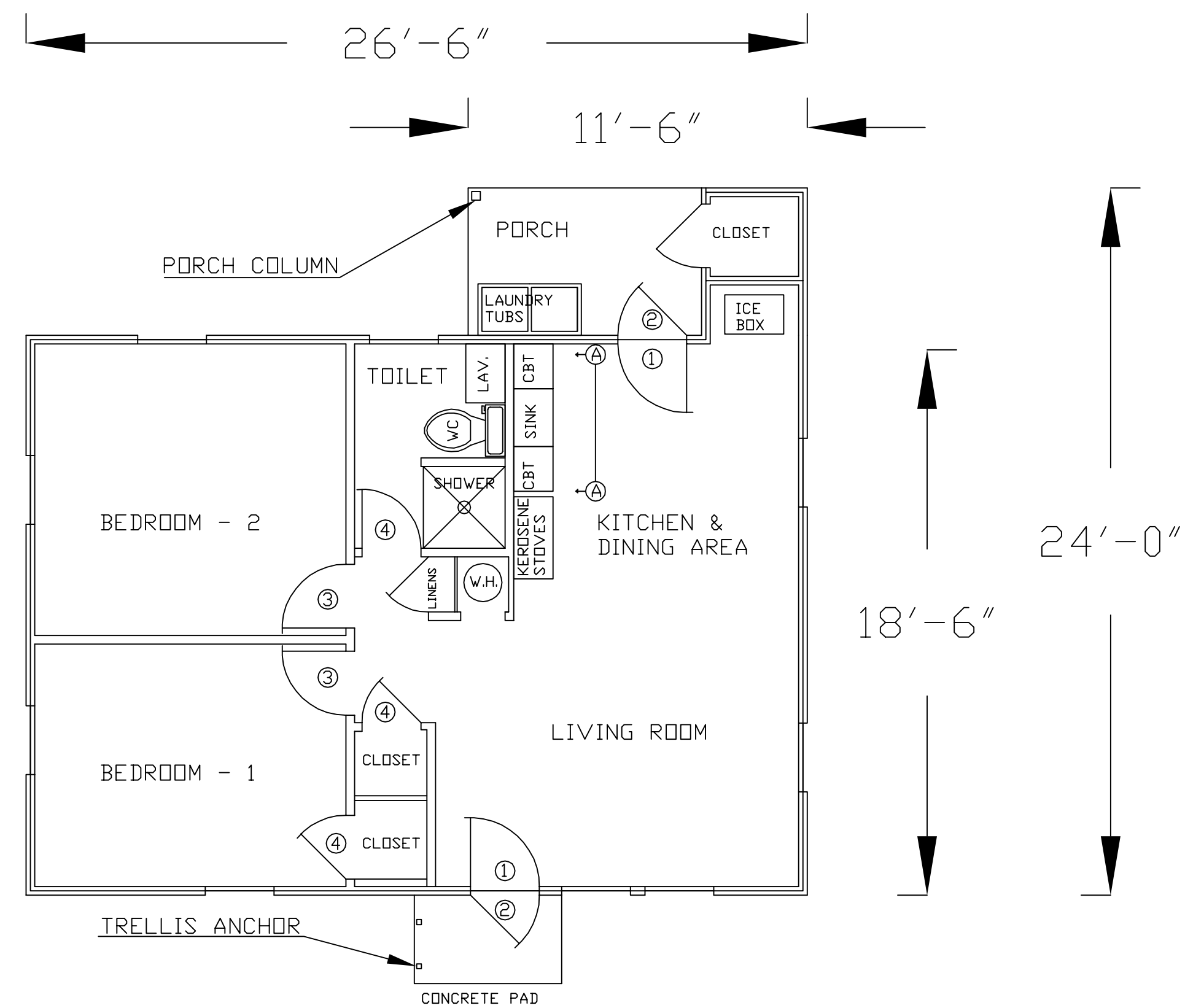
REAR ELEVATION VIEW



LEFT ELEVATION VIEW



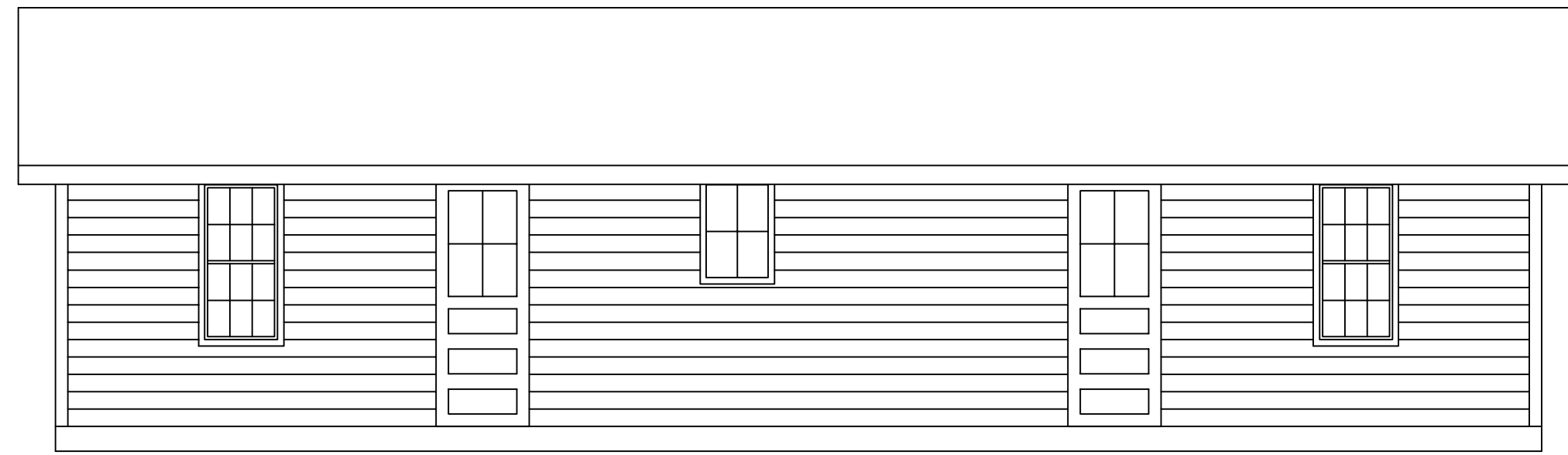
RIGHT ELEVATION VIEW



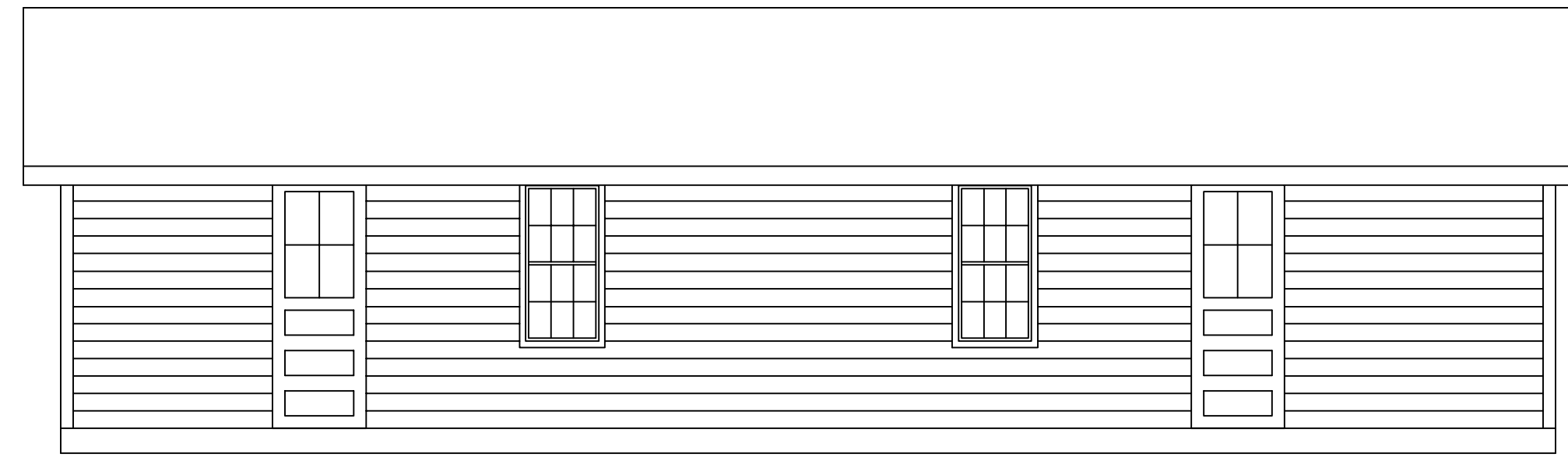
FLOOR PLAN - SINGLE FAMILY DWELLING
SHOWN AS DWELLING UNITS "C" IN PLOT PLAN

TITLE: U.S. FAMILY INTERNMENT CAMP CRYSTAL CITY, TEXAS	
REV:	DWELLING UNIT "C"
12-10-2010 02-22-2011	U.S. DEPARTMENT OF JUSTICE IMMIGRATION & NATURALIZATION SERVICE PHILADELPHIA, PA (31 AUGUST 1944)
PROVIDED BY: JOANNA WARTEMANN-HOWELL, FORMER INTERNEE, & AVERY HOWELL. NARA SOUTHWEST COLLECTION, FORT WORTH, TEXAS.	
FLOOR PLAN & ELEVATIONS	DRAWING #08 OF 12
DRAWN BY: WERNER R. ULRICH, FORMER INTERNEE	
SCALE: 1/4"=1'	DRAWN: 09-26-2010 ©2011 WERNER R. ULRICH

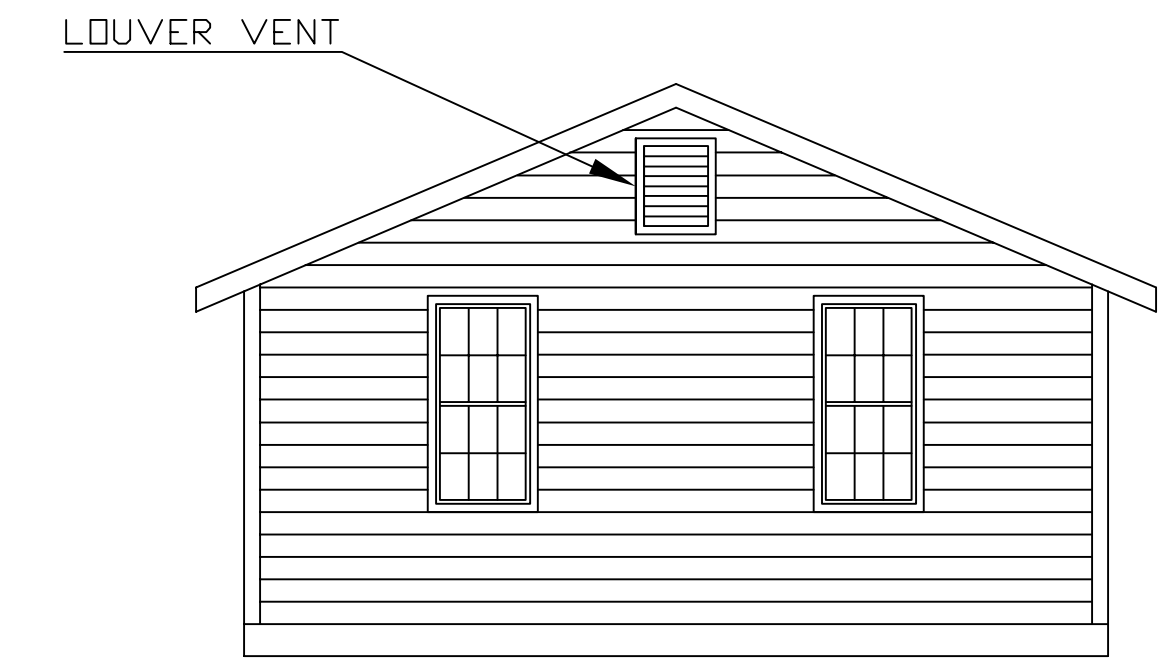
FRAME CONSTRUCTION ON 6" CONCRETE FLOOR, OIL TREATED REDWOOD SIDING, SHINGLE ROOF



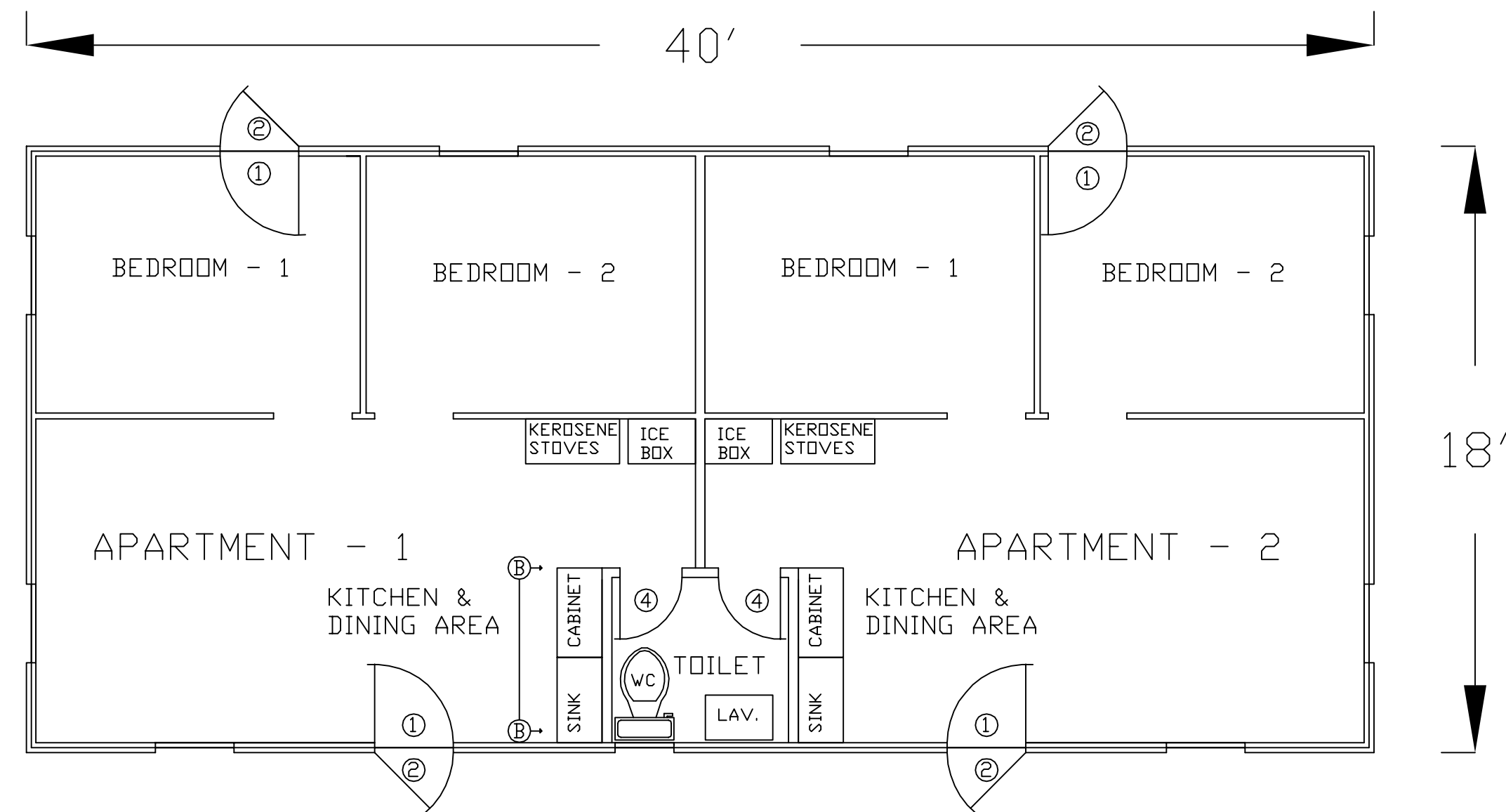
FRONT ELEVATION VIEW



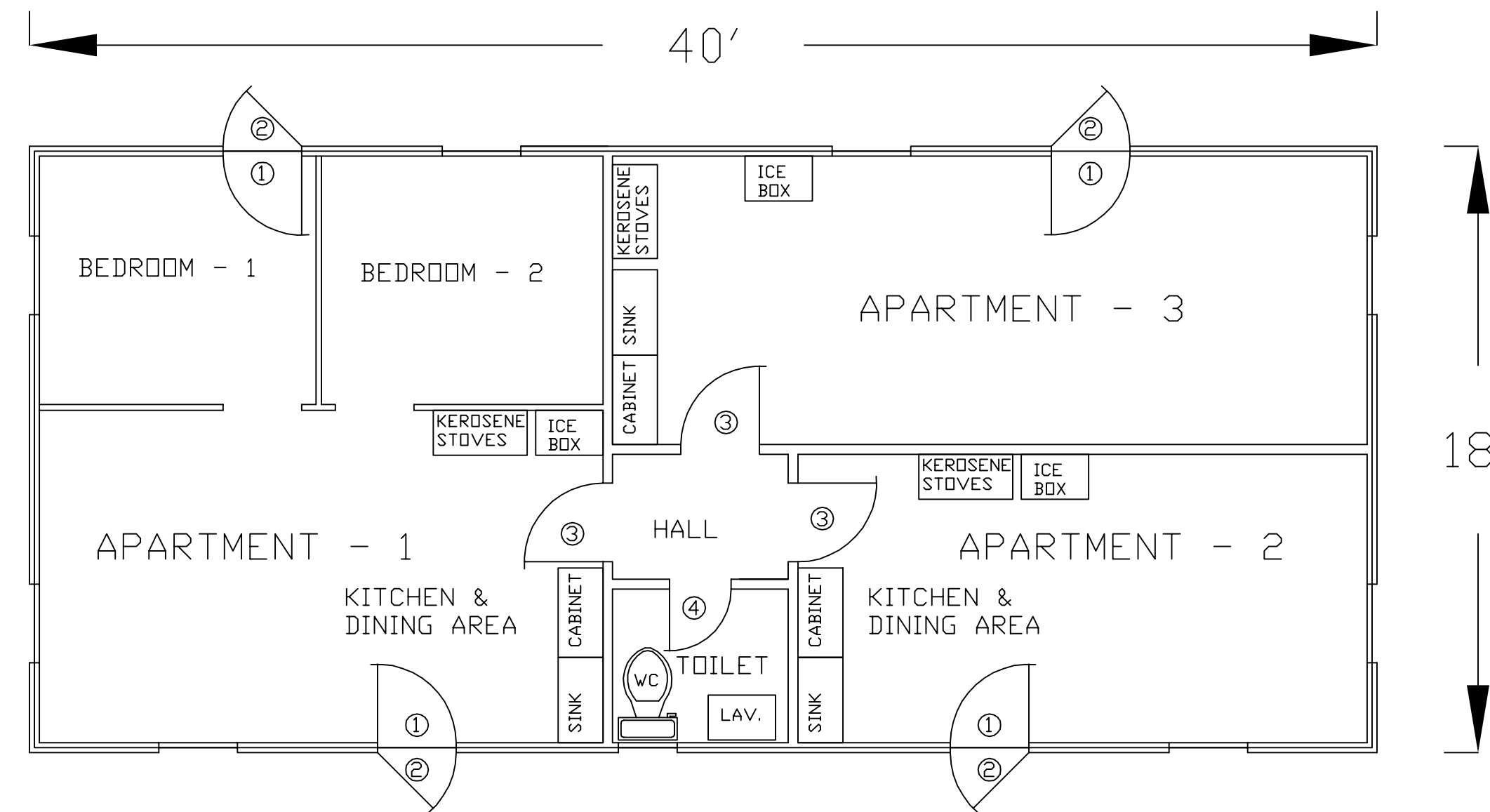
BACK ELEVATION VIEW



SIDE ELEVATION VIEW



FLOOR PLAN - TWO FAMILY DWELLING
SHOWN AS DWELLING UNITS "D" IN PLOT PLAN

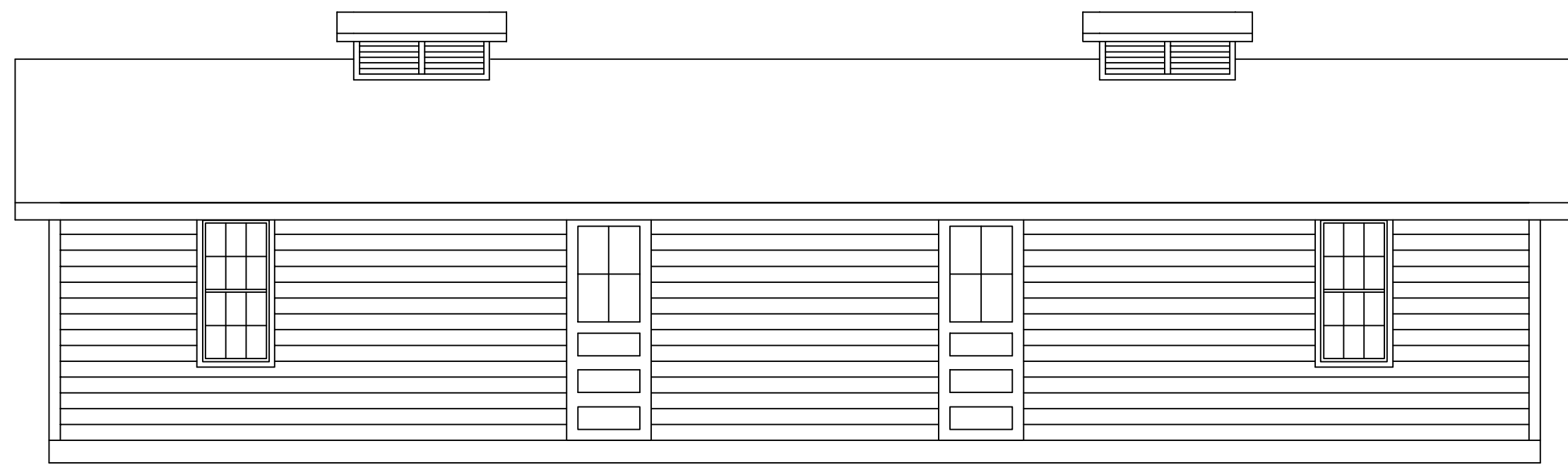


FLOOR PLAN - THREE FAMILY DWELLING
SHOWN AS DWELLING UNITS "T" IN PLOT PLAN

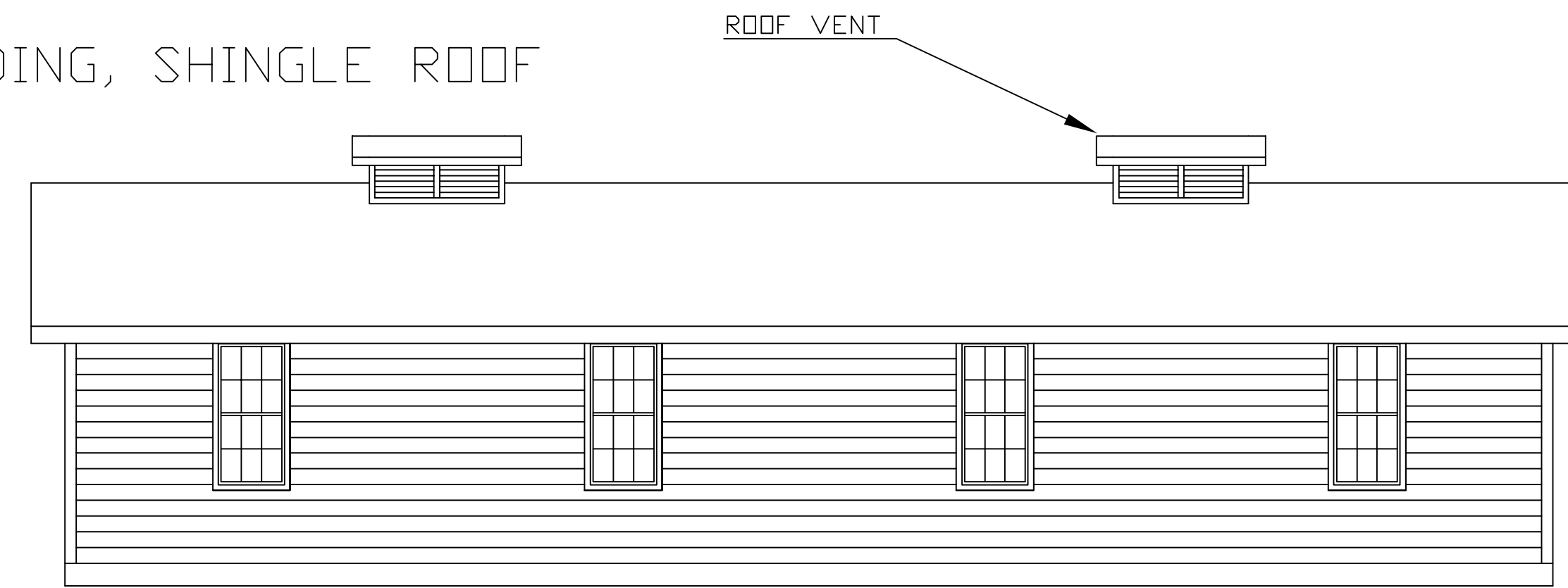
TITLE: U.S. FAMILY INTERNMENT CAMP CRYSTAL CITY, TEXAS	
REV:	DWELLING UNITS "D" & "T"
09-26-2010	U.S. DEPARTMENT OF JUSTICE
12-10-2010	IMMIGRATION & NATURALIZATION SERVICE
02-22-2011	PHILADELPHIA, PA (31 AUGUST 1944)
PROVIDED BY: JOANNA WARTEMANN-HOWELL, FORMER INTERNEE, & AVERY HOWELL. NARA SOUTHWEST COLLECTION, FORT WORTH, TEXAS.	
FLOOR PLANS & ELEVATIONS	DRAWING #09 OF 12
DRAWN BY: WERNER R. ULRICH, FORMER INTERNEE	
SCALE: 1/4"=1'	DRAWN: 06-24-2010 ©2011 WERNER R. ULRICH

NOTE: SECTION "Q" PROVIDED WITH PUBLIC BATHS, LATRINES & MESS HALLS, AS SHOWN IN PLOT PLAN.

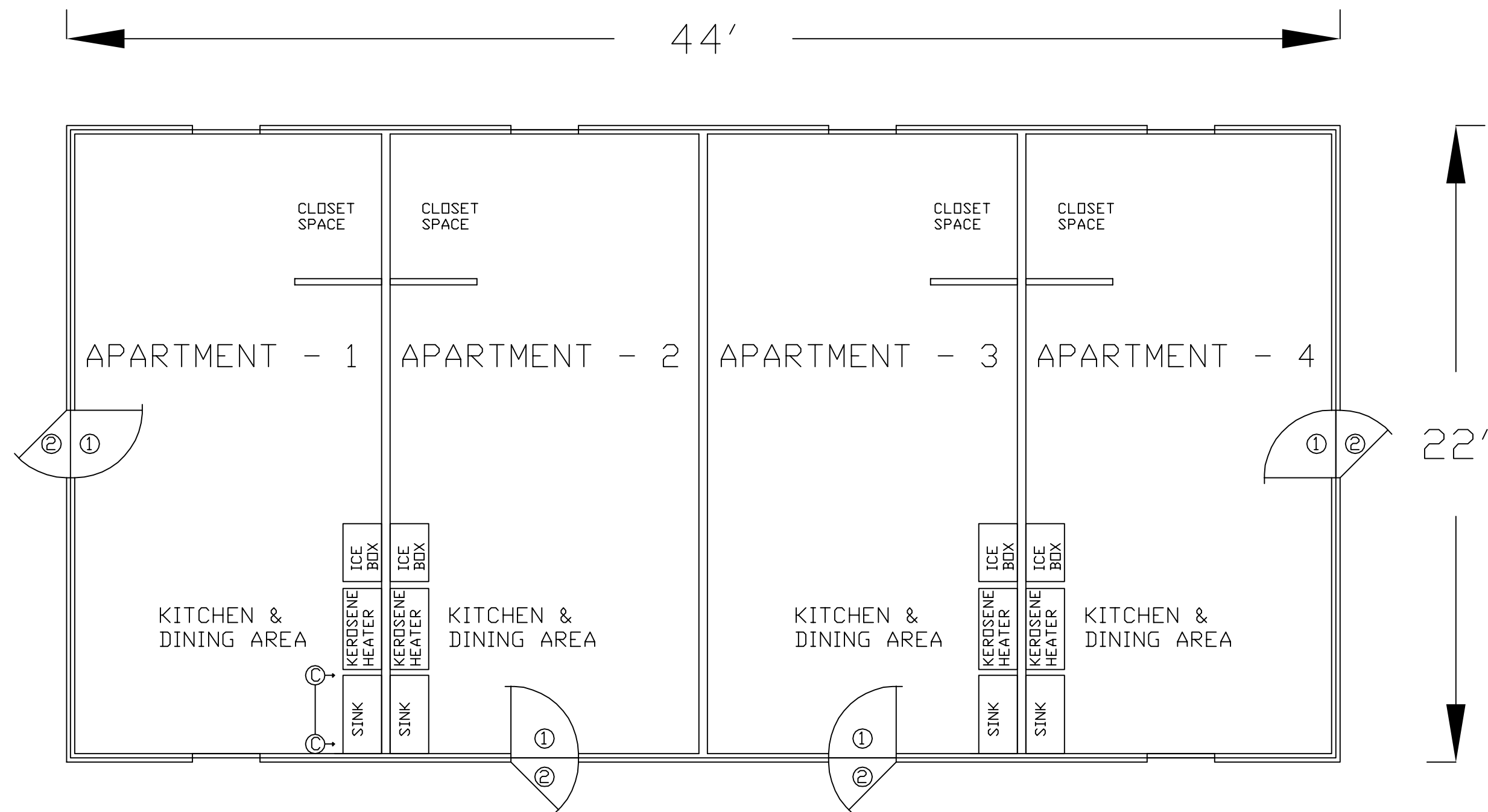
FRAME CONSTRUCTION ON 6" CONCRETE FLOOR, OIL TREATED REDWOOD SIDING, SHINGLE ROOF



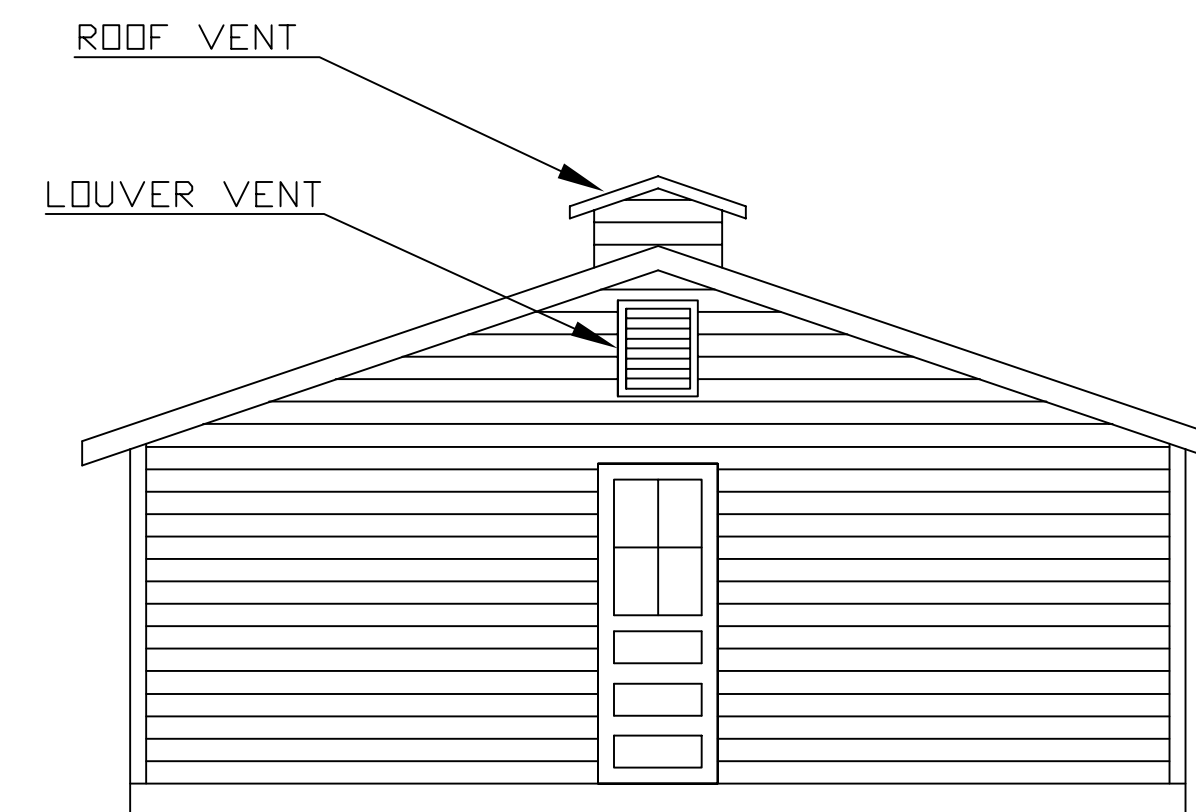
FRONT ELEVATION VIEW



REAR ELEVATION VIEW



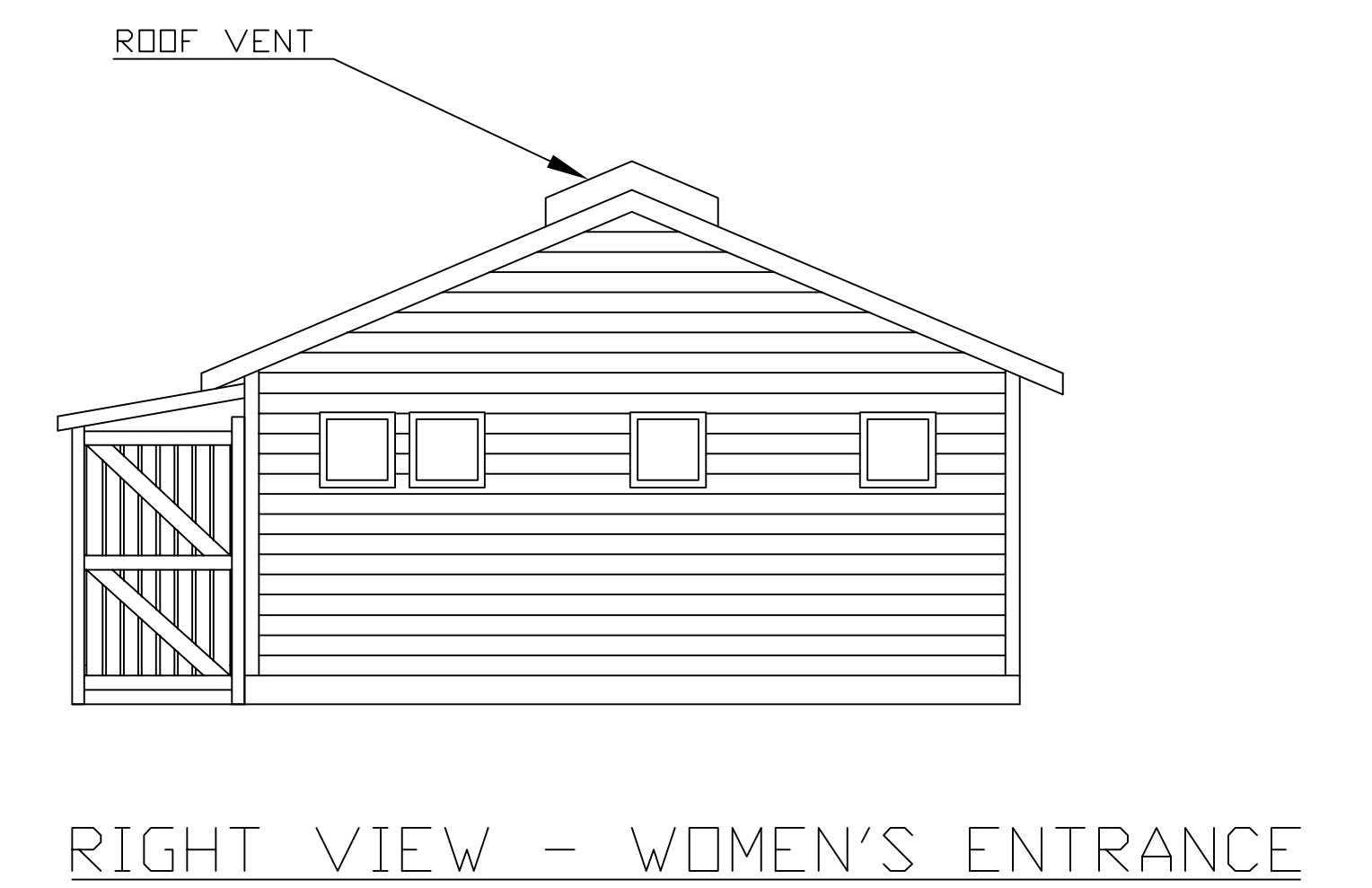
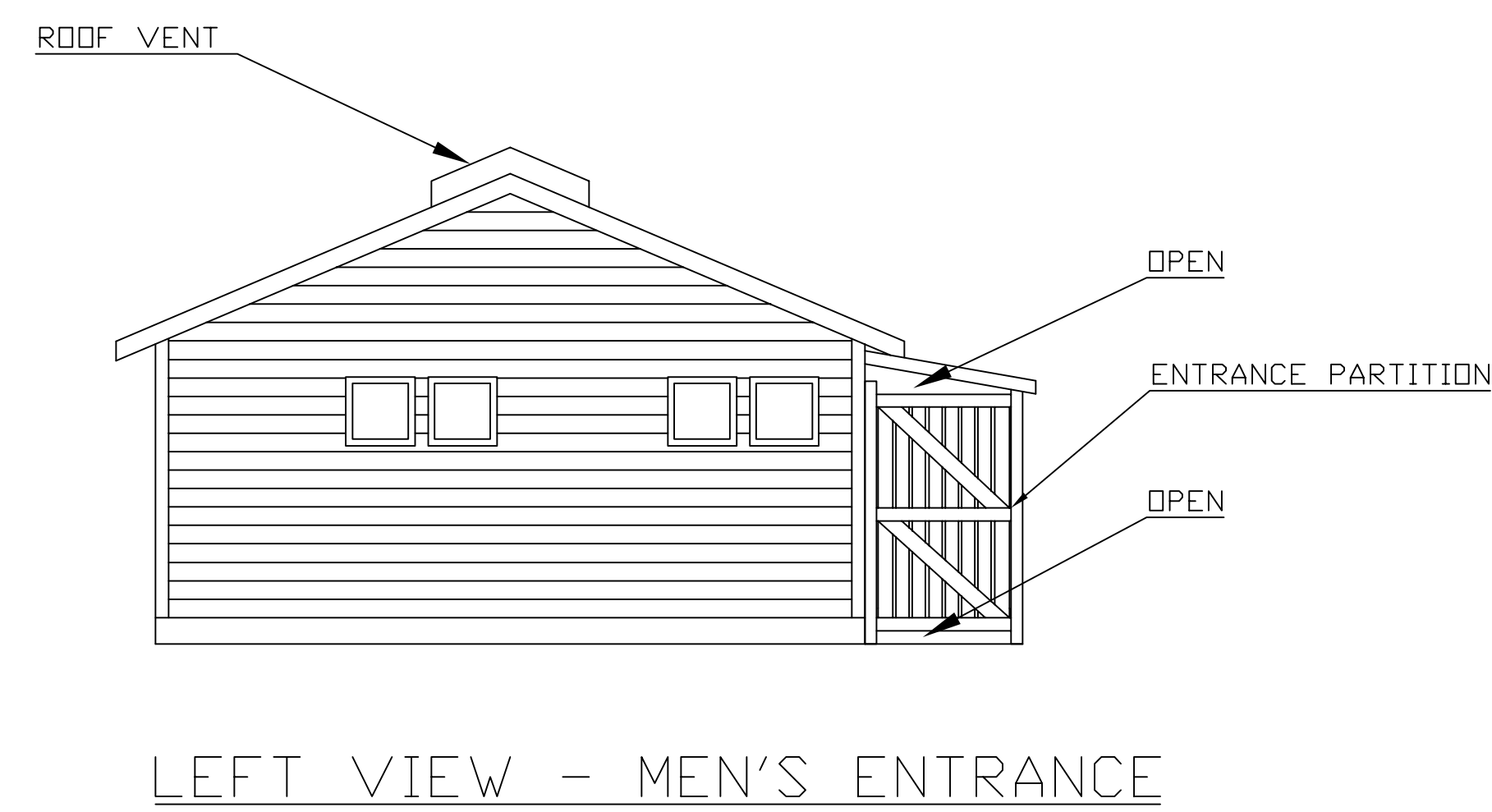
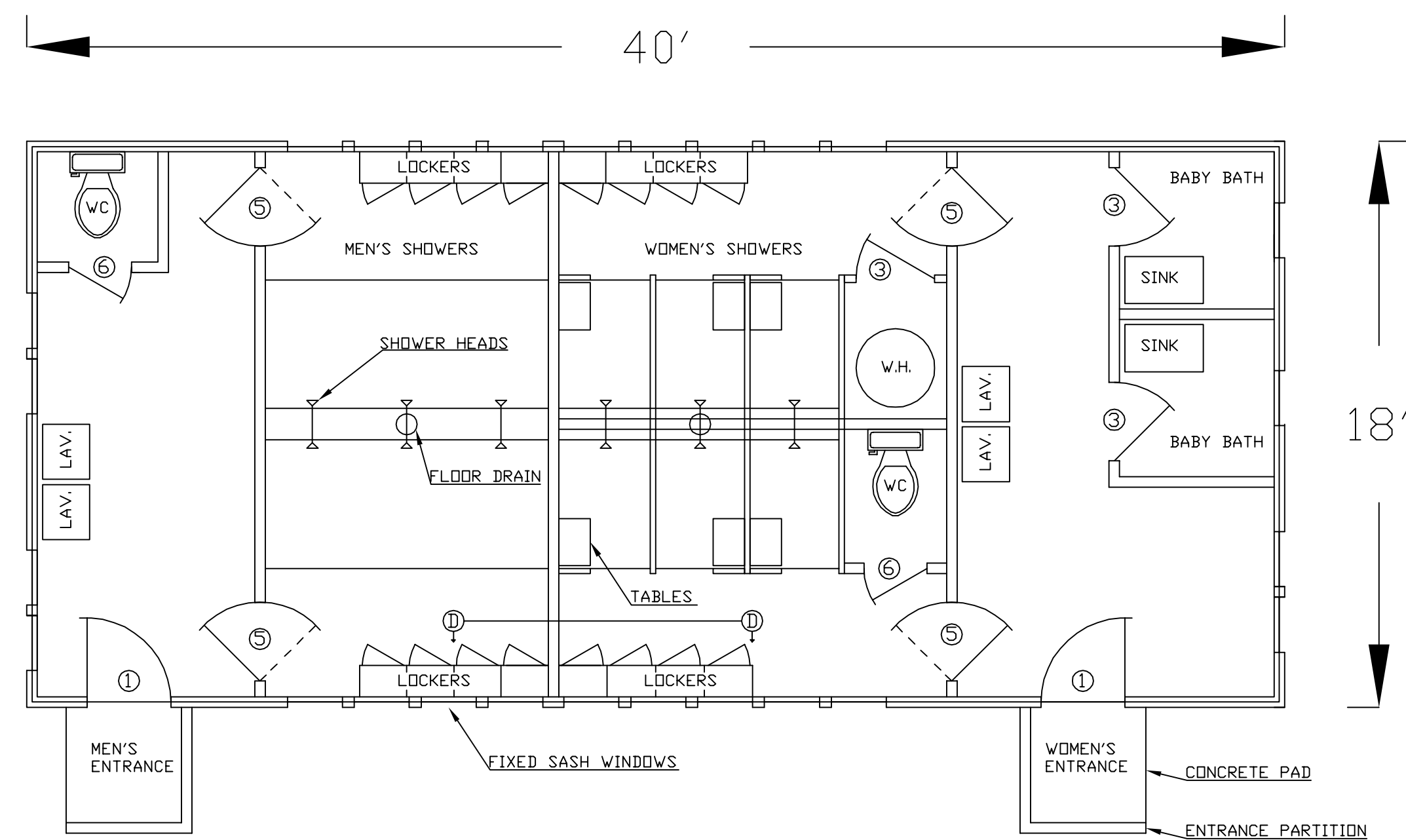
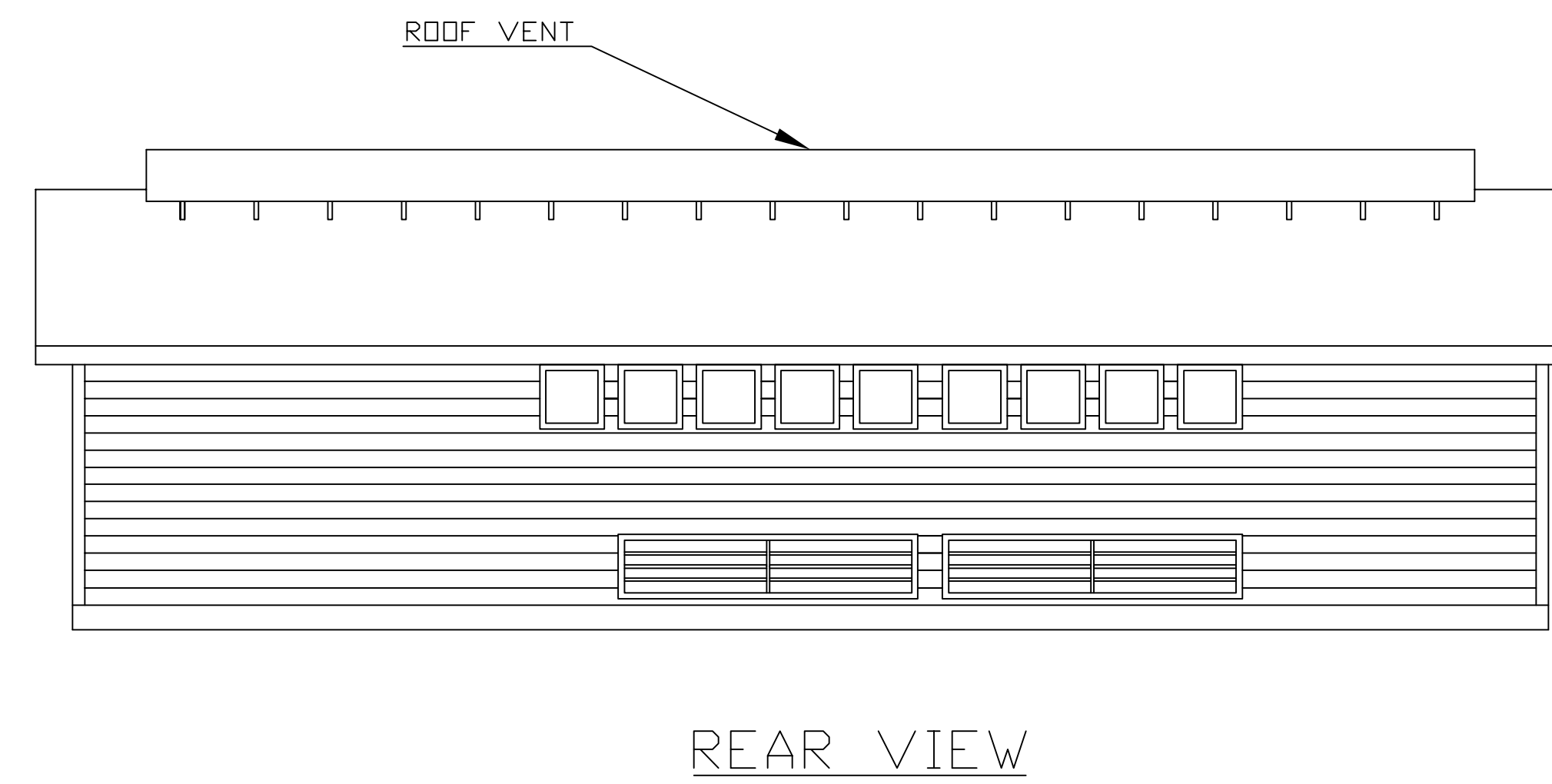
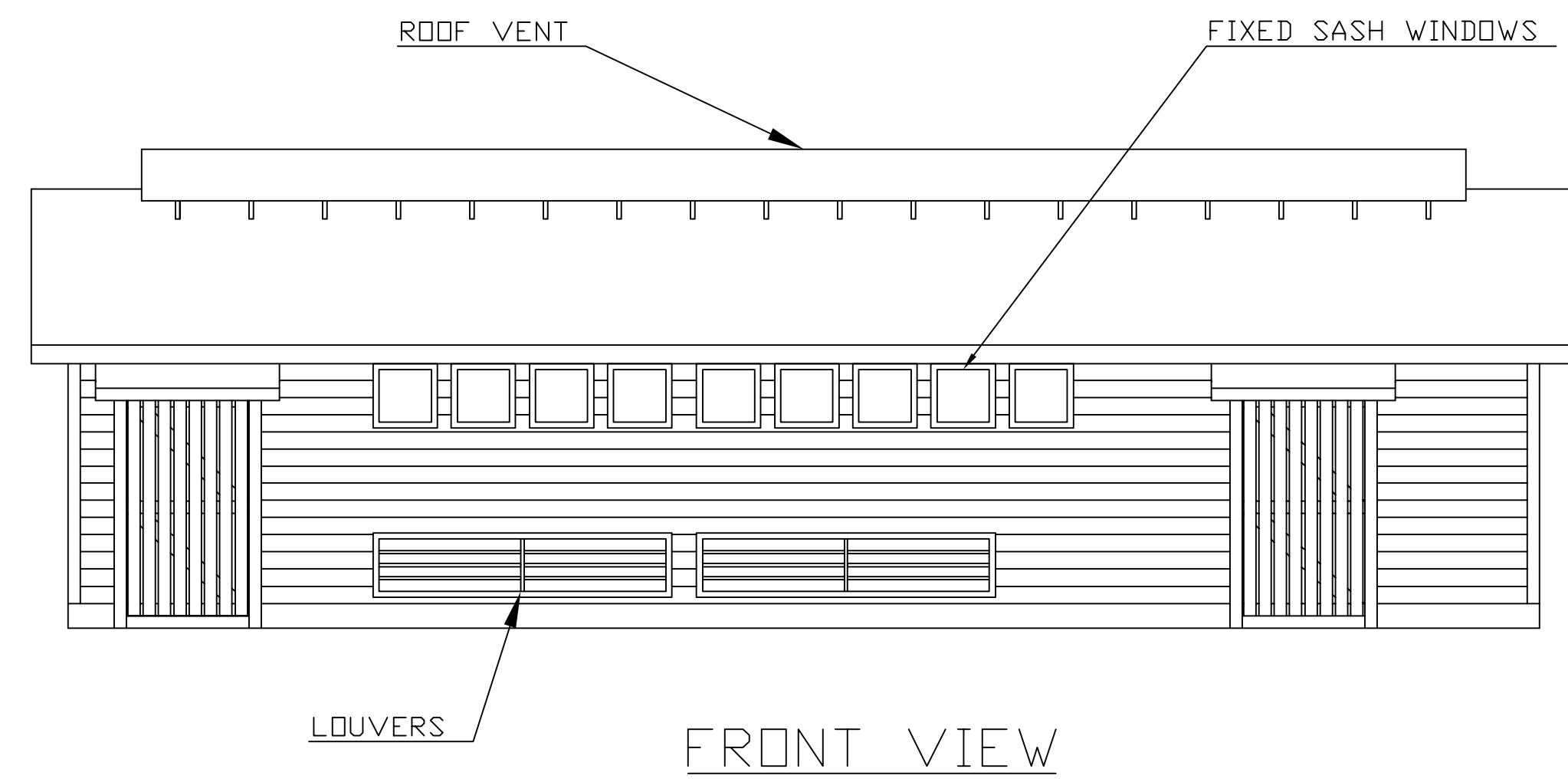
FLOOR PLAN - FOUR FAMILY DWELLING
SHOWN AS DWELLING UNITS "Q" IN PLOT PLAN



SIDE ELEVATION VIEW

TITLE: U.S. FAMILY INTERNMENT CAMP CRYSTAL CITY, TEXAS	
REV:	DWELLING UNIT "Q"
12-10-2010	U.S. DEPARTMENT OF JUSTICE IMMIGRATION & NATURALIZATION SERVICE PHILADELPHIA, PA (31 AUGUST 1944)
02-22-2011	PROVIDED BY: JOANNA WARTEMANN-HOWELL, FORMER INTERNEE, & AVERY HOWELL. NARA SOUTHWEST COLLECTION, FORT WORTH, TEXAS.
FLOOR PLAN & ELEVATIONS	DRAWING #10 OF 12
DRAWN BY: WERNER R. ULRICH, FORMER INTERNEE	
SCALE: 1/4"=1'	DRAWN: 09-26-2010 ©2011 WERNER R. ULRICH

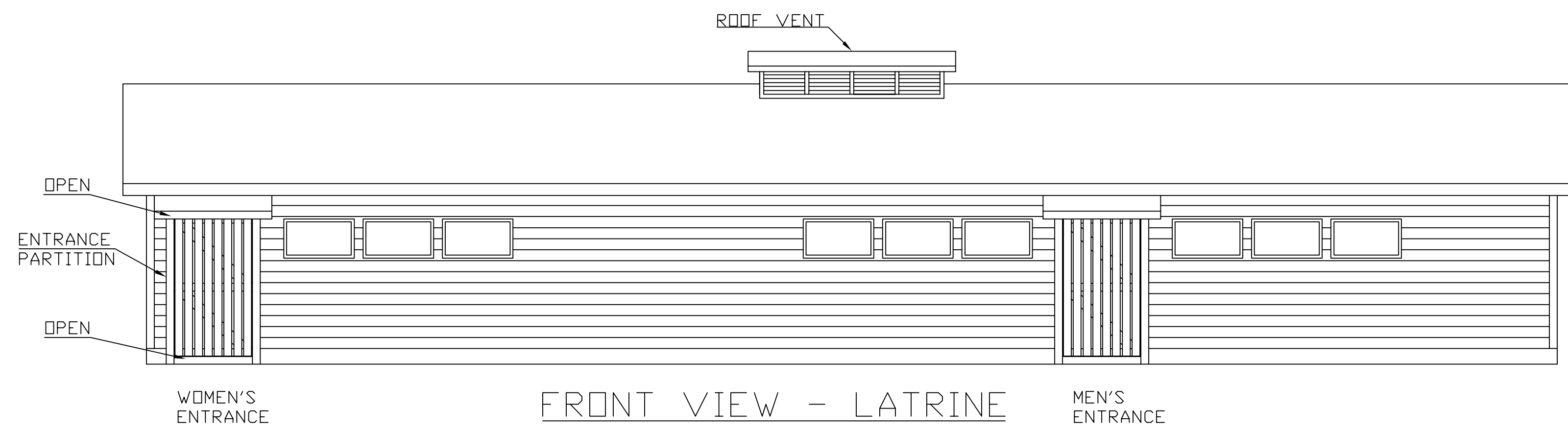
FRAME CONSTRUCTION ON 6" CONCRETE FLOOR, OIL TREATED REDWOOD SIDING, SHINGLE ROOF



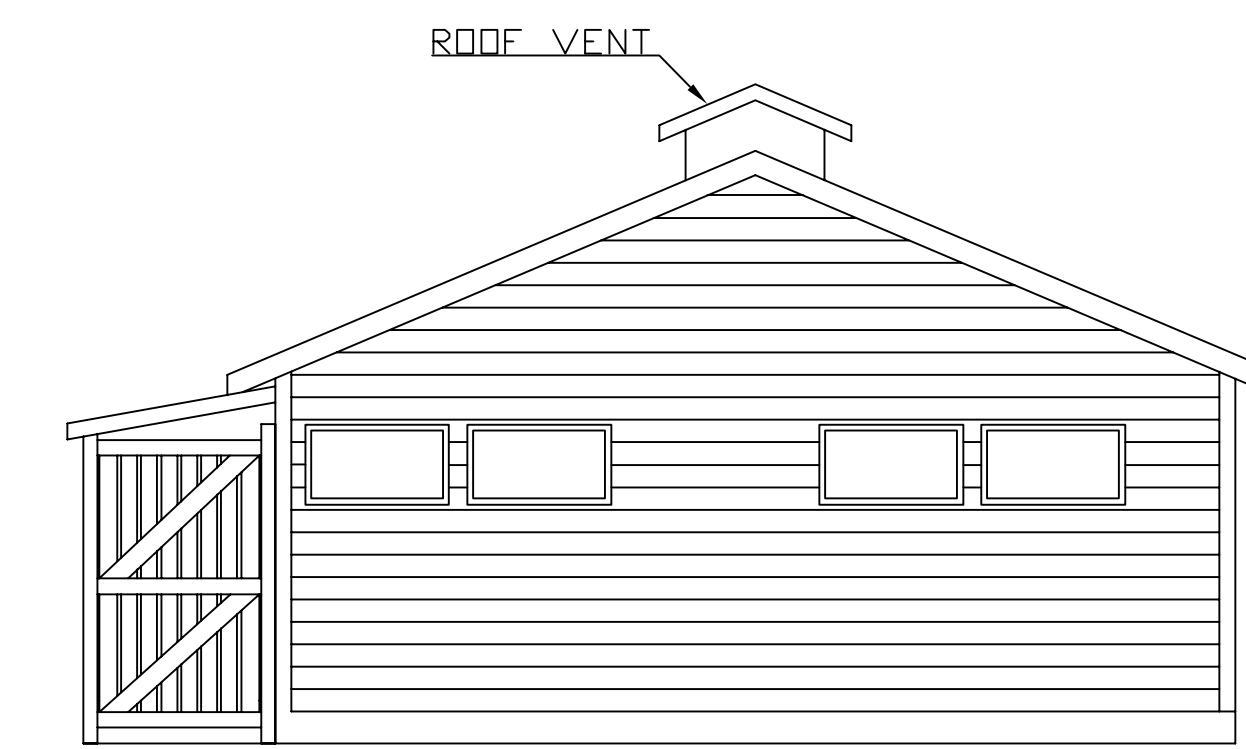
FLOOR PLAN - BATH HOUSE

TITLE: U.S. FAMILY INTERNMENT CAMP CRYSTAL CITY, TEXAS	
REV:	BATH HOUSE
12-10-2010	U.S. DEPARTMENT OF JUSTICE IMMIGRATION & NATURALIZATION SERVICE PHILADELPHIA, PA (31 AUGUST 1944)
02-22-2011	PROVIDED BY: JOANNA WARTEMANN-HOWELL, FORMER INTERNEE, & AVERY HOWELL. NARA SOUTHWEST COLLECTION, FORT WORTH, TEXAS.
FLOOR PLAN & ELEVATIONS	DRAWING #11 OF 12
DRAWN BY: WERNER R. ULRICH, FORMER INTERNEE	
SCALE: 1/4"=1'	DRAWN: 09-26-2010 ©2011 WERNER R. ULRICH

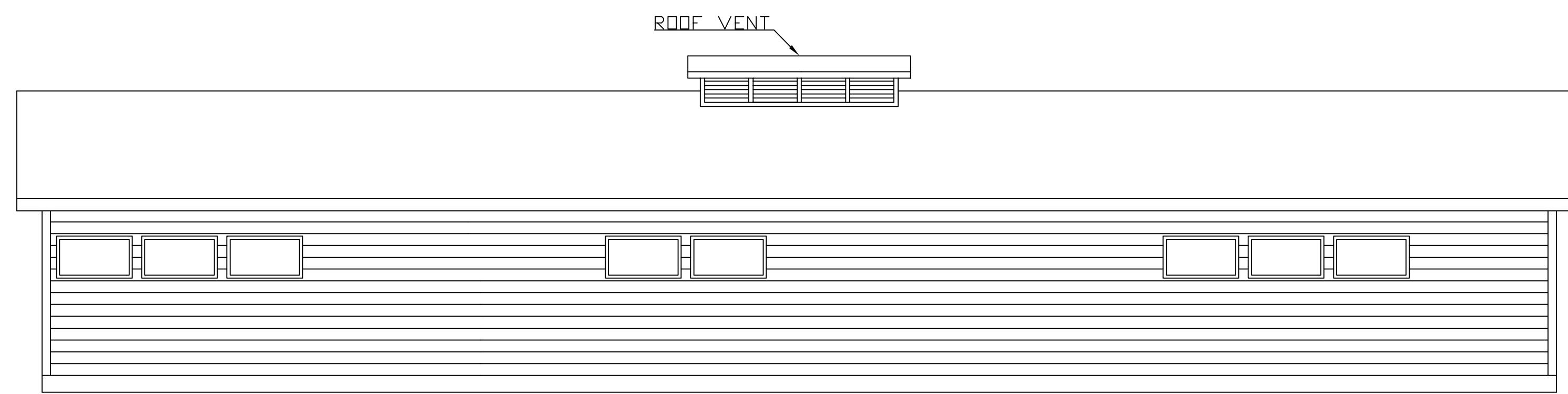
FRAME CONSTRUCTION ON 6" CONCRETE FLOOR, OIL TREATED REDWOOD SIDING, SHINGLE ROOF



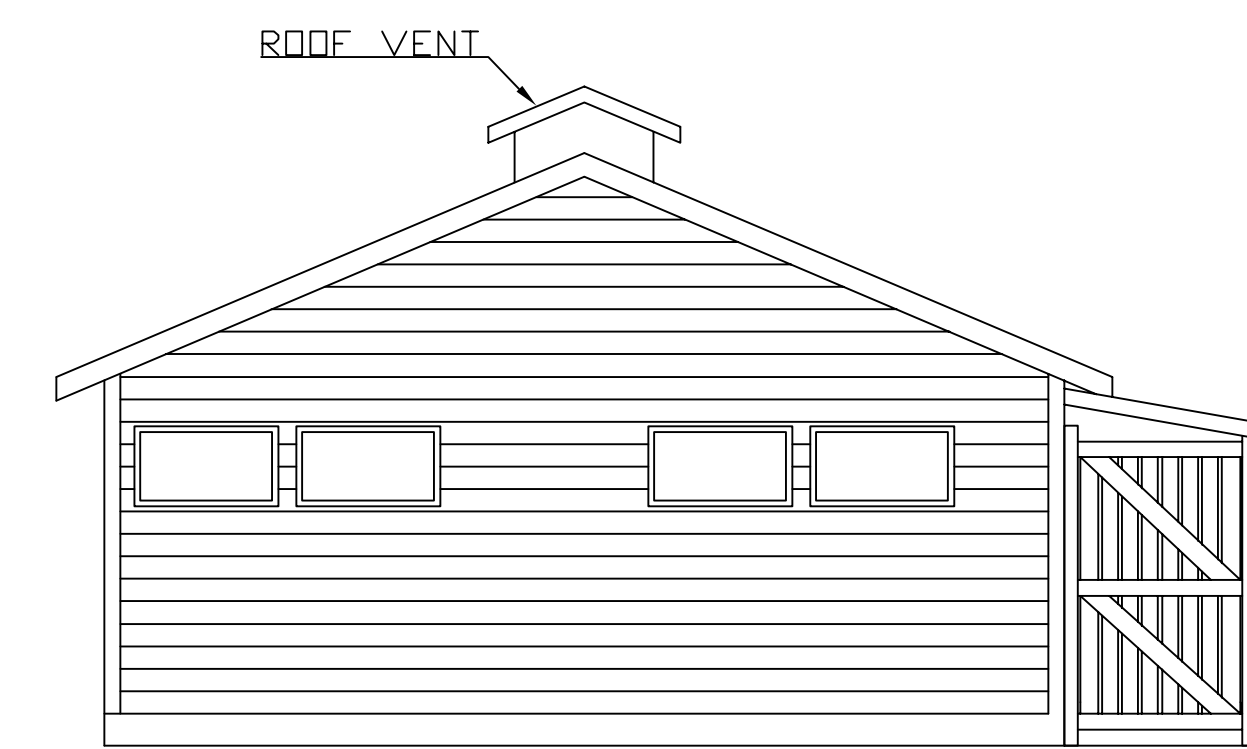
FRONT VIEW - LATRINE



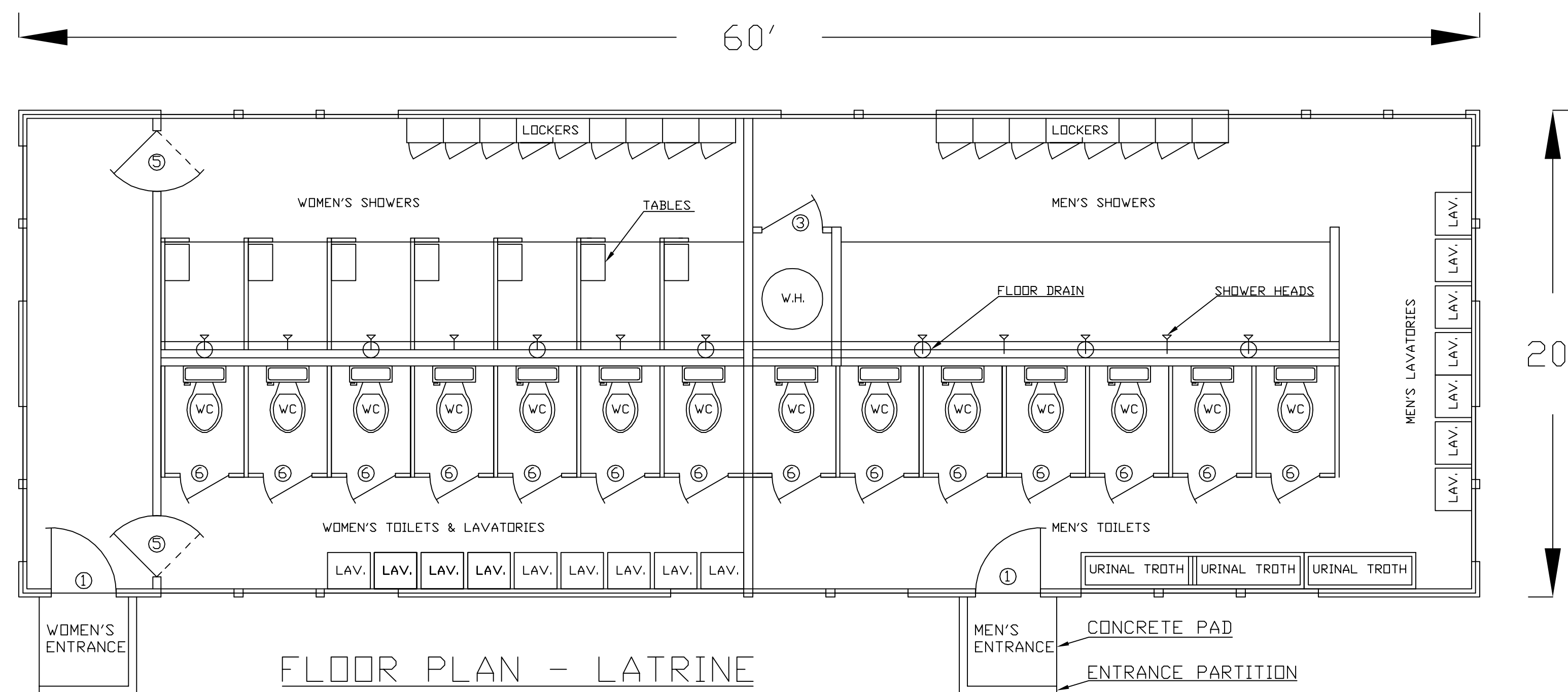
RIGHT VIEW - MEN'S ENTRANCE



REAR VIEW - LATRINE



LEFT VIEW - WOMEN'S ENTRANCE

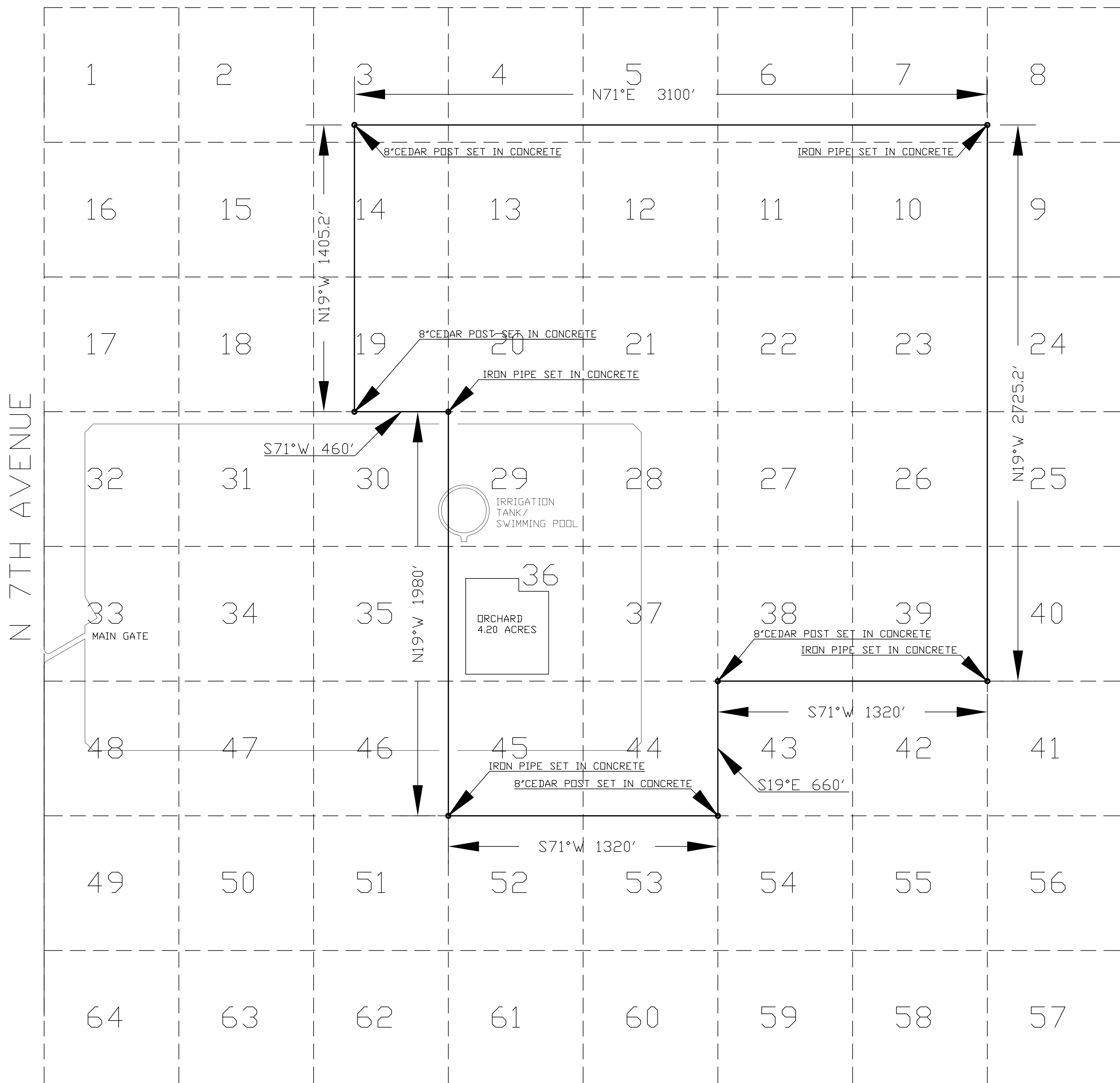
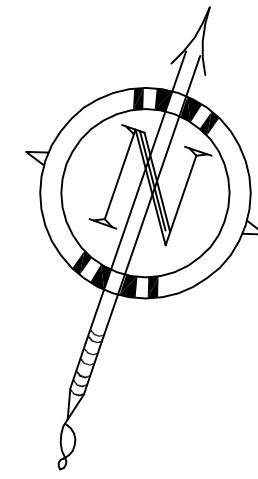


FLOOR PLAN - LATRINE

TITLE: U.S. FAMILY INTERNMENT CAMP
CRYSTAL CITY, TEXAS

REV:	LATRINE
10-31-2010	U.S. DEPARTMENT OF JUSTICE IMMIGRATION & NATURALIZATION SERVICE PHILADELPHIA, PA (31 AUGUST 1944)
02-22-2011	PROVIDED BY: ANNELIESE ENDERS-SPOREL, FORMER INTERNEE & PHOTOS (CIRCA 1945)
FLOOR PLAN & ELEVATIONS	DRAWING #12 OF 12
DRAWN BY: WERNER R. ULRICH, FORMER INTERNEE	
SCALE: 1/4"=1'	DRAWN: 08-03-2010 ©2011 WERNER R. ULRICH

SECTION 125



I, William M. Franks, County Surveyor of Zavala County, Texas, do hereby certify that this is a true and correct plat and that the Survey was made by me on the ground, May 28th, 1948. A tract of land within Section 125 of the Cross-S ranch subdivision in Zavala County, Texas, being farms nos. 10-11-12-13-20-21-22-23-26-27-28-29-37-38-39-44-45 and a portion of farms nos. 36-19-14-3-4-5-6-7; described in metes and bounds as follows: Beginning at an iron pipe set in a fence, being in the S.W. corner of farm no. 45 and the N.E. corner of farm no. 51. Thence N. 19° W. 1980 feet to an iron pipe set for the N.W. corner of farm no. 29. Thence S. 71° W. 460 feet to an 8-inch cedar post set in concrete. Thence N. 19° W. 1405.2 feet to an 8-inch cedar post set in concrete. Thence N. 71° E. 3100 feet to an iron pipe set in concrete for the N.E. corner of this tract. Thence S. 19° E. 2725.2 feet to an iron pipe set in concrete, being the S.E. corner of farm no. 39. Thence S. 71° W. 1320 feet to an 8-inch cedar post, being the S.E. corner of farm no. 37. Thence S. 19° E. 660 feet to an 8-inch cedar post, being the S.E. corner of farm no. 44. Thence S. 71° W. 1320 feet to the place of beginning, containing 199.97 acres, less 4.20 acres to be excluded from this tract, being a citrus orchard situated as shown on plat, leaving a balance of 195.77 acres.

NOTE: ON NOVEMBER 29, 1948, 195.77 ACRES WERE SOLD BY THE U.S. WAR ASSETS ADMINISTRATION TO THE CRYSTAL CITY MUNICIPAL AIRPORT. FARM NOS. 30, 31, 32, 33, 34, 35, 46, 47, 48, WITH DIMENSIONS OF 1980 FEET BY 1980 FEET, A TOTAL OF 90 ACRES, WERE SOLD TO THE CRYSTAL CITY, TEXAS, INDEPENDENT SCHOOL DISTRICT. ALL OF THE ABOVE IS A DIRECT QUOTE OF WILLIAM M. FRANKS, COUNTY SURVEYOR OF ZAVALA COUNTY, MAY 25, 1948.

TITLE: U.S. FAMILY INTERNMENT CAMP CRYSTAL CITY, TEXAS	
A TRUE COPY OF SURVEY	
WILLIAM M. FRANKS, COUNTY SURVEYOR OF ZAVALA COUNTY, TEXAS (25 MAY 1948).	
PROVIDED BY: JOANNA WARTEMANN-HOWELL, FORMER INTERNEE & AVERY HOWELL. THE ORIGINAL SURVEY IS OF RECORD AT NARA SOUTHWEST COLLECTION, FORT WORTH, TEXAS.	
DRAWN BY: WERNER R. ULRICH, FORMER INTERNEE	D
SCALE: 1"=300' DRAWN: 09-26-2011 ©2011 WERNER R. ULRICH	